

Serial number placement

INDEX

1. ACCUMULATING STOVES

1.1 Salzburg C.....	4
1.2 Salzburg L Series.....	5
1.3 Salzburg M Series.....	6
1.4 Salzburg S.....	7
1.5 Salzburg XL.....	8

2. INSERTS

2.1 N-20A, N-21A Exclusive.....	9
2.2 N-20F, N-21F Exclusive.....	10
2.3 N-20T, N-21T Exclusive.....	11
2.4 N-20U, N-21U Exclusive.....	12
2.5 N-21.....	13
2.6 N-23G.....	14
2.7 N-24.....	15
2.8 N-36A.....	16
2.9 N-29U/A.....	17
2.10 N-29P.....	18
2.11 NI-22.....	19
2.12 NI-25.....	20
2.13 Q-23.....	21
2.14 Q-24UL.....	22
2.15 Q-27.....	23
2.16 Q-30.....	24
2.17 Q-34 AL.....	25
2.18 Q-34 UL.....	26
2.19 S-18F, S-18U.....	27
2.20 S-26R.....	28
2.21 X-20F.....	29
2.22 X-25F.....	30
2.23 S-31A Basic / Exclusive.....	31

3. STOVES

3.1 Bergen, Glasgow.....	32
3.2 Duo.....	33
3.3 Orion.....	34
3.4 Quadro Basic / Exclusive.....	35
3.5 Saturn.....	36
3.6 Smarty.....	37
3.7 Uno.....	38
3.8 Me.....	39-40

Surrounds

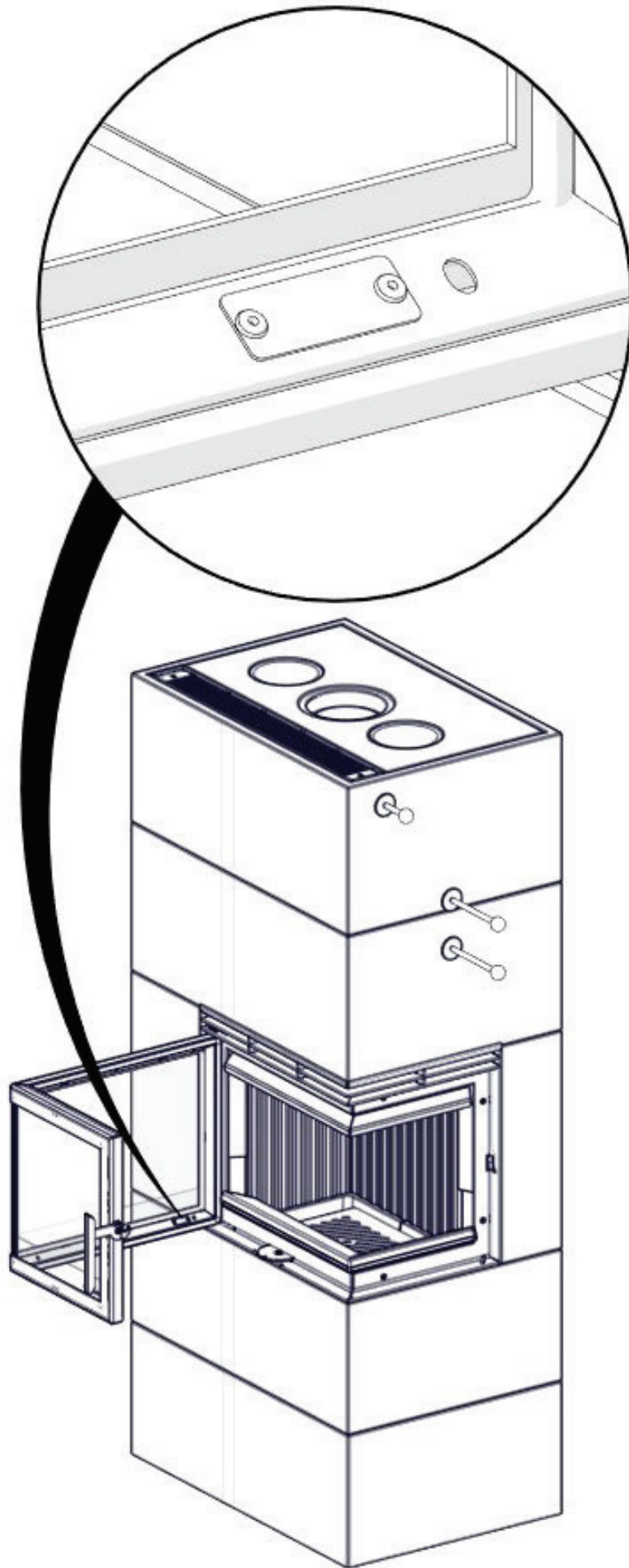
The serial number is to be found on a white or green sticker placed on a type label on one of the pallet sides, table of delivery, manual instruction and on one of the surround elements.

Accumulating stoves - surrounds parts

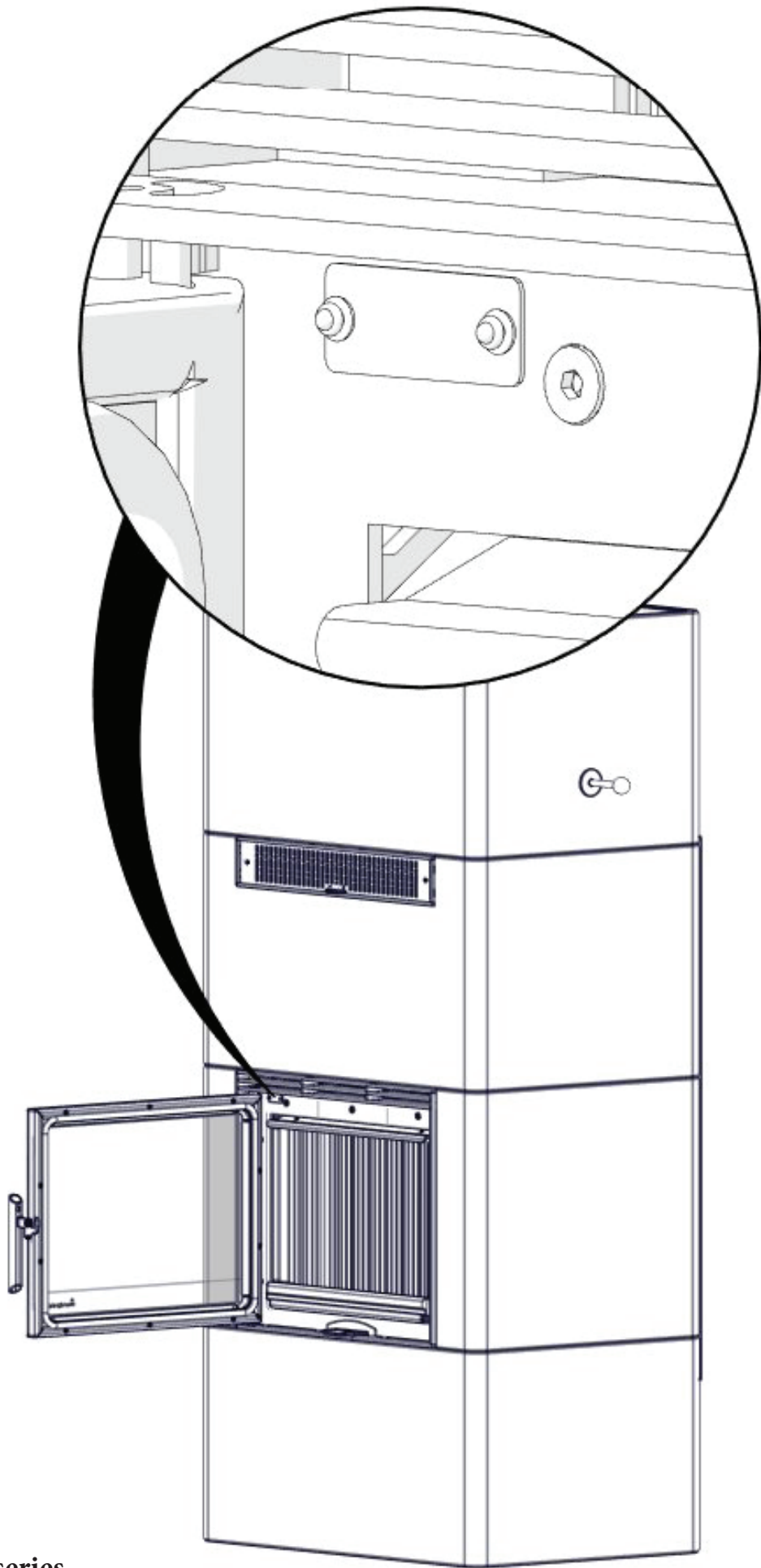
The serial number is to be found on the Warranty card and CE label as well as on a white or green sticker placed on a pallet side, table of delivery, manual instruction and one of the surround elements.

Accessories

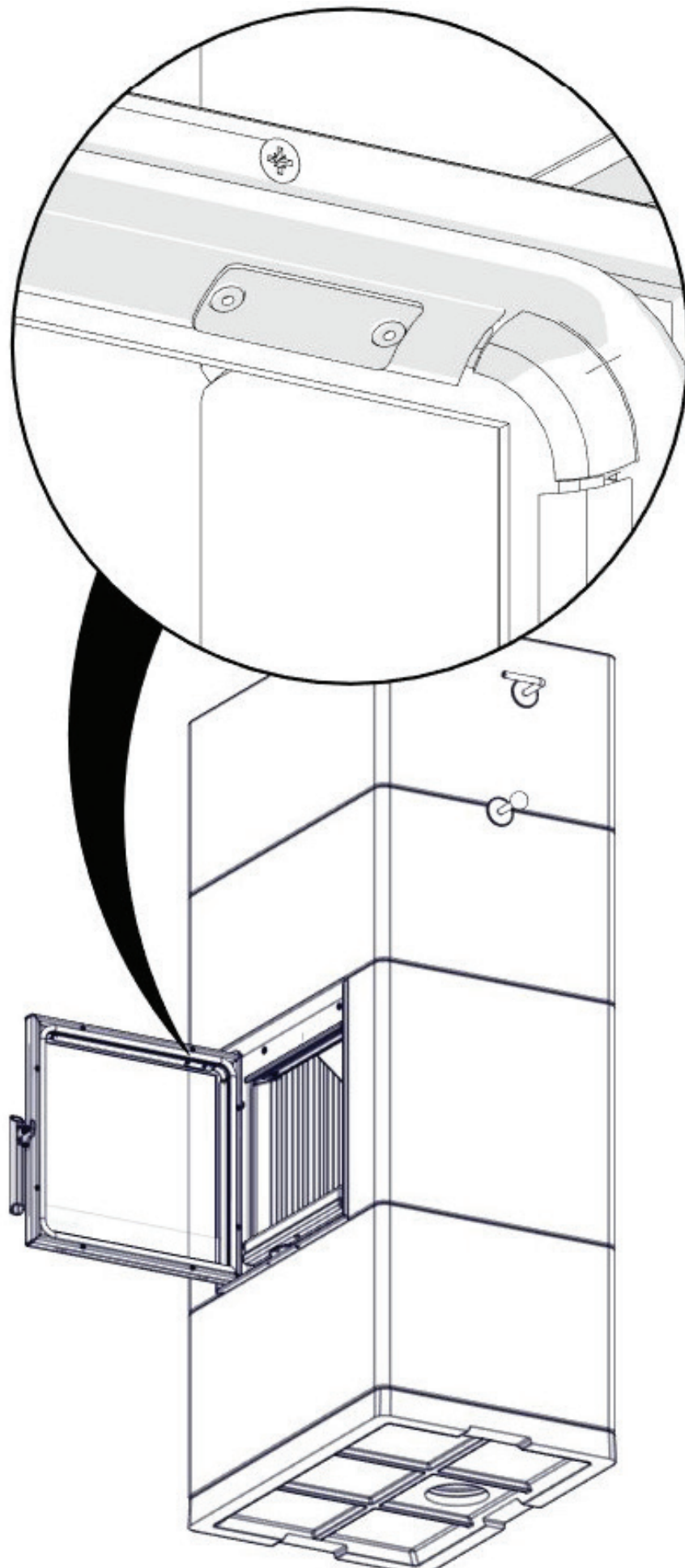
The serial number is to be found on a white or green sticker, placed on a type label and on the table of delivery.



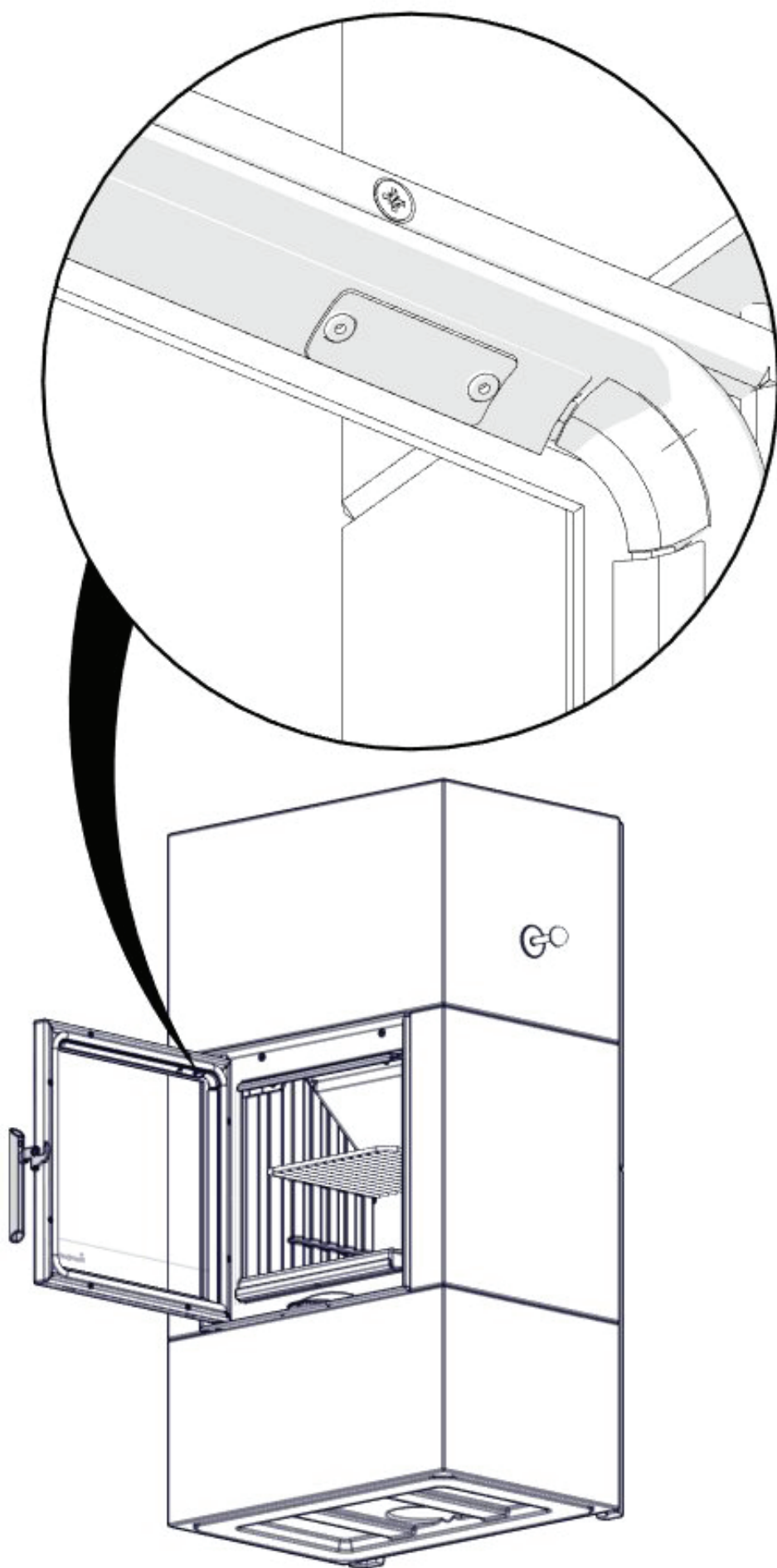
Salzburg C

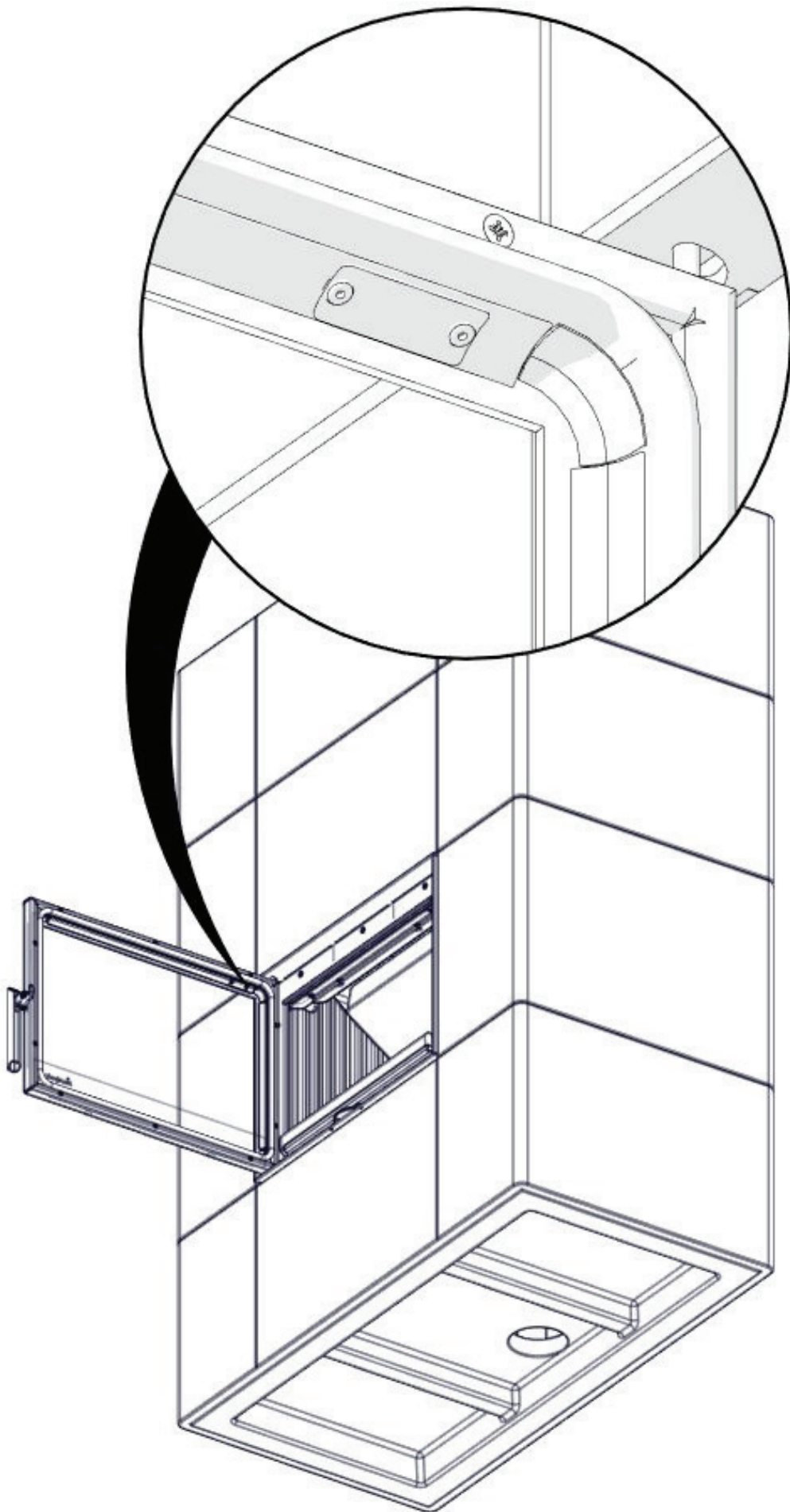


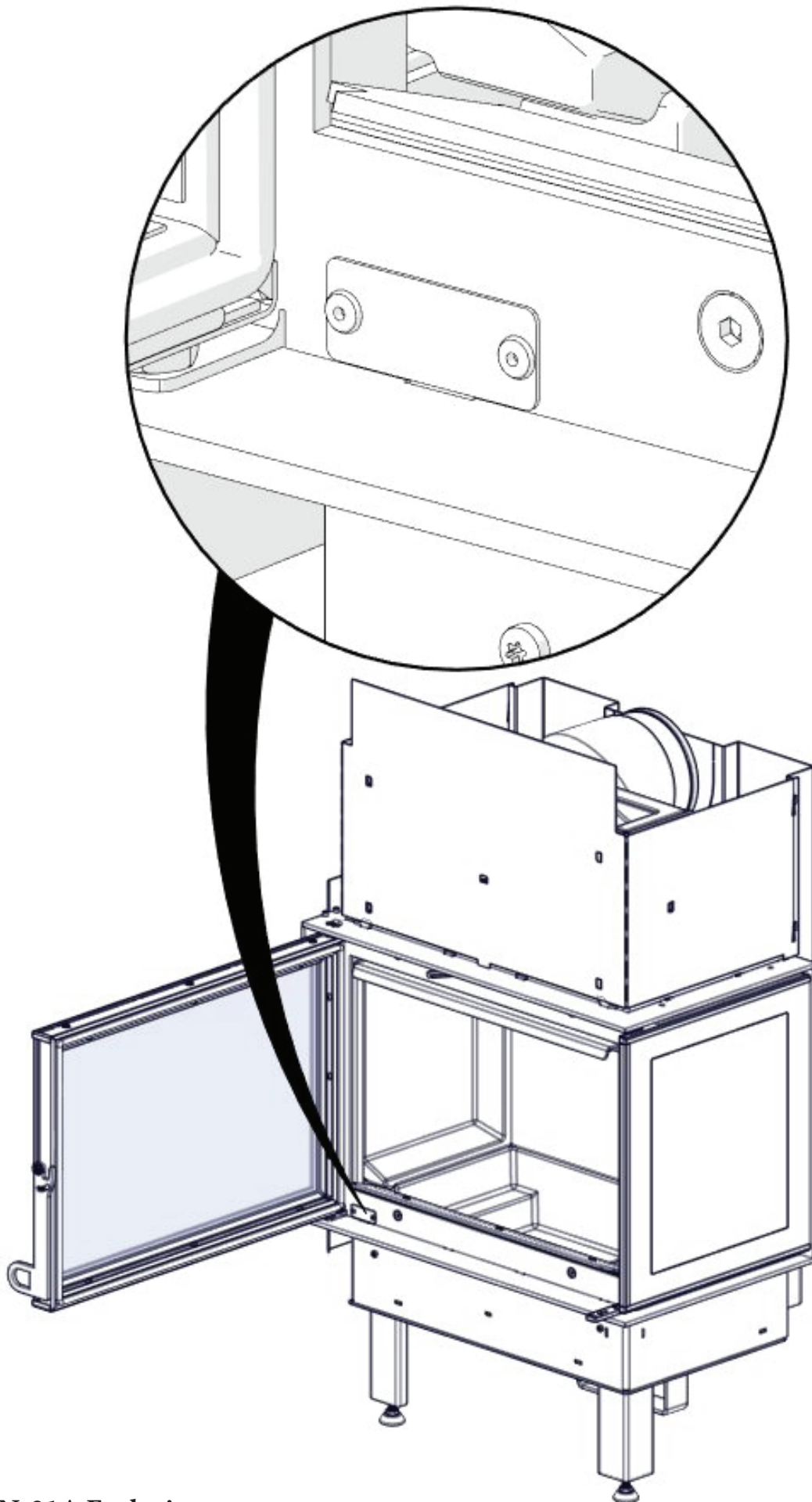
Salzburg L series



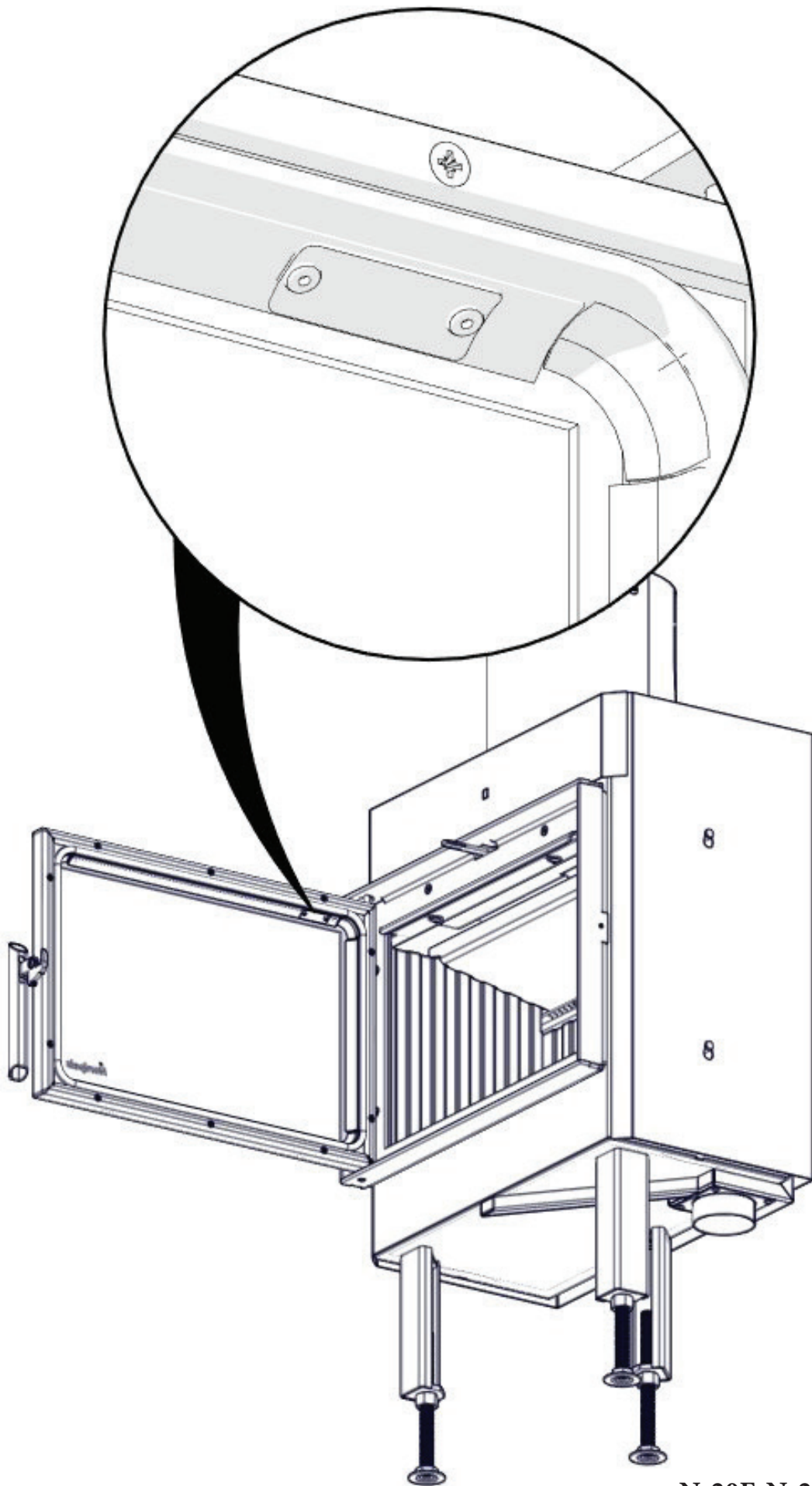
Salzburg M



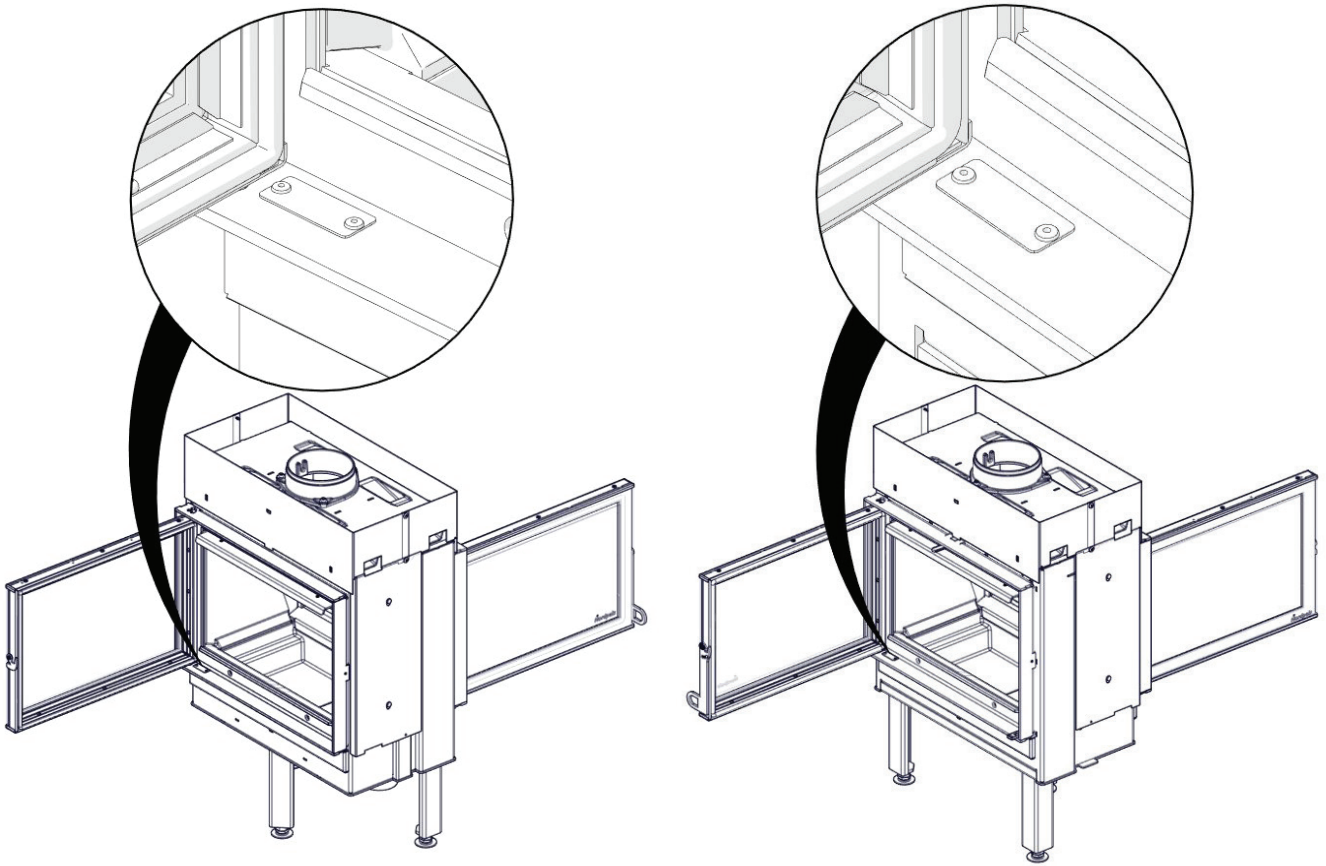




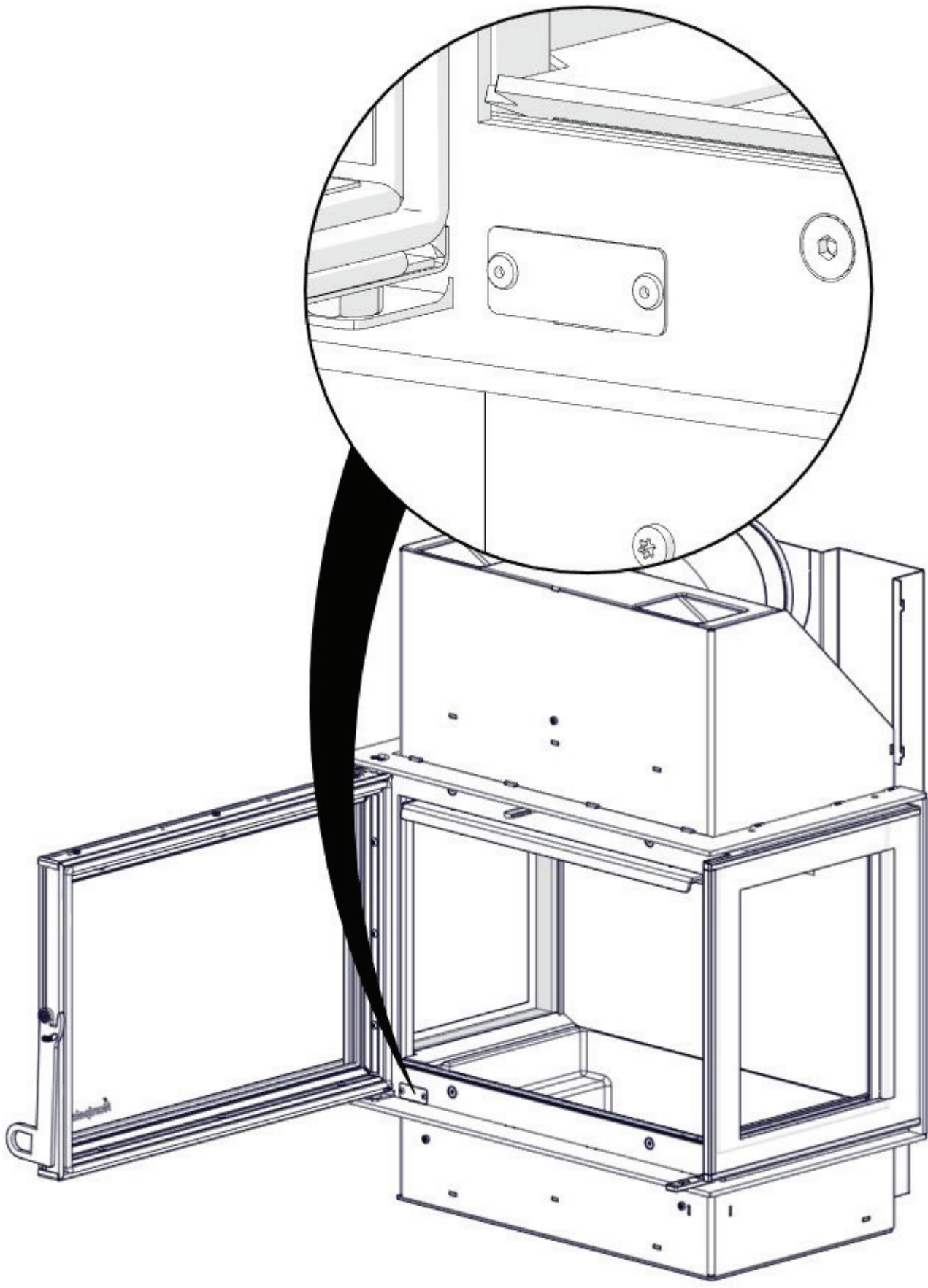
N-20A, N-21A Exclusive



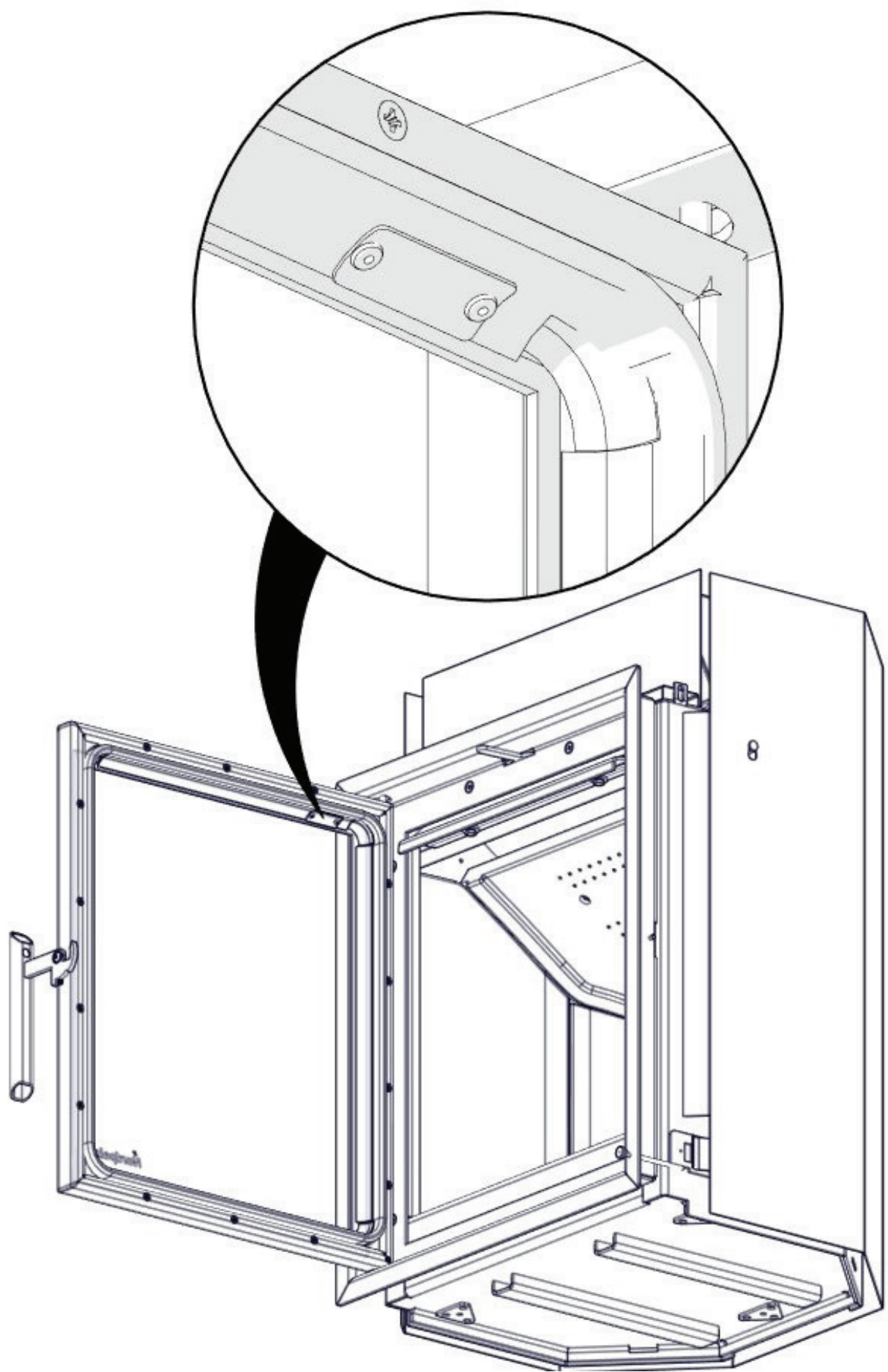
N-20F, N-21F Exclusive



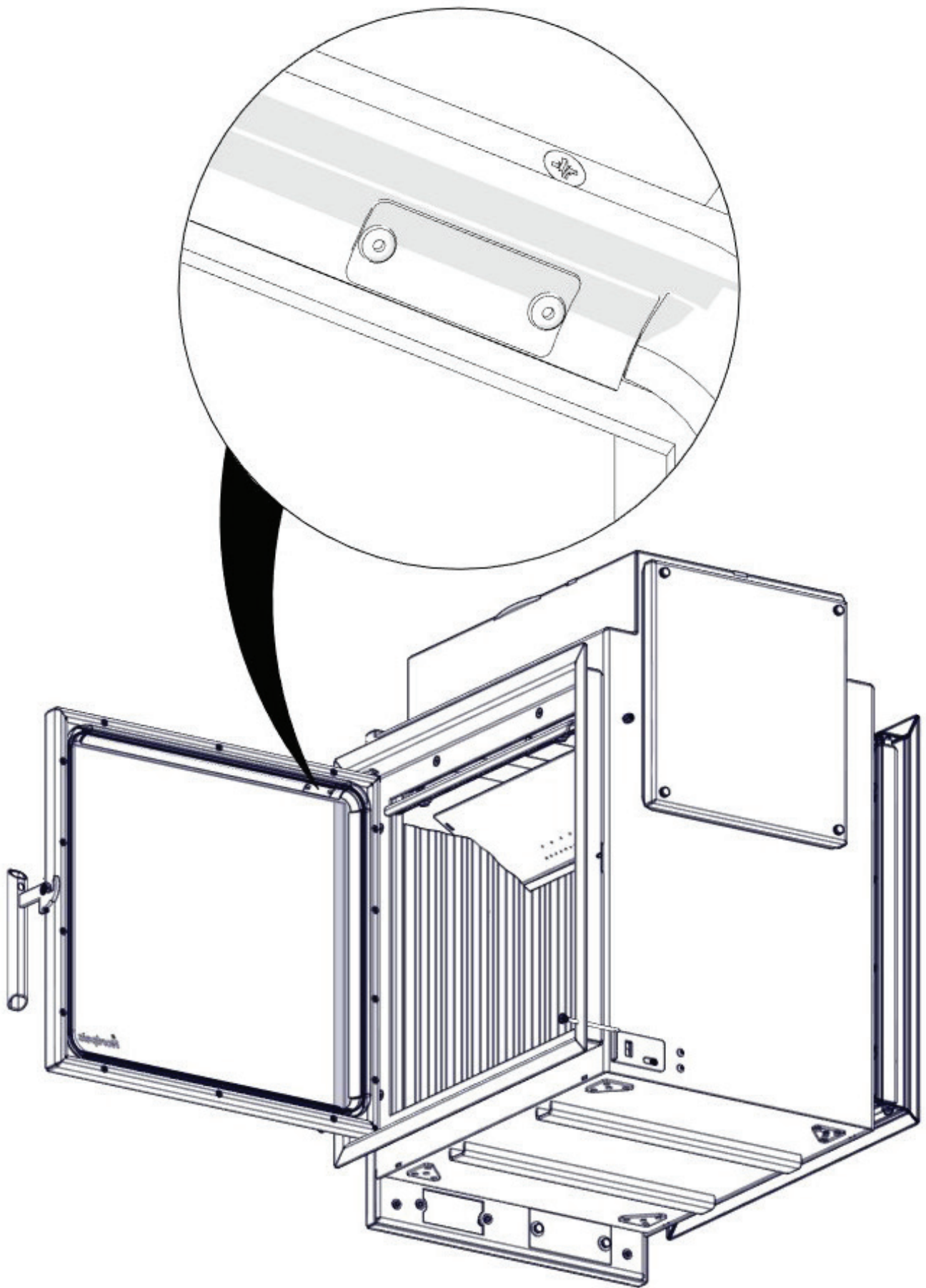
N-20T, N-21T Exclusive



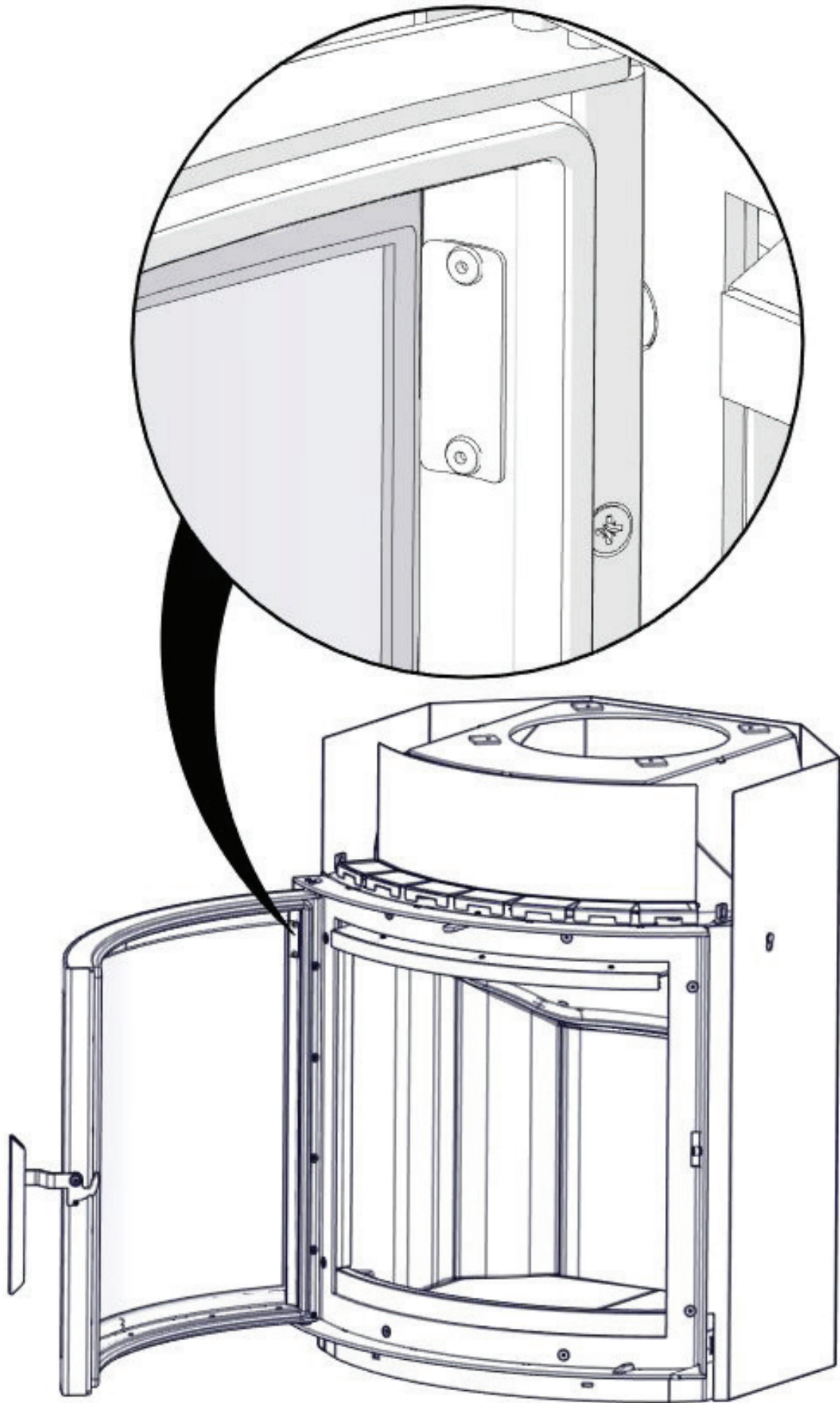
N-20U, N-21U Exclusive



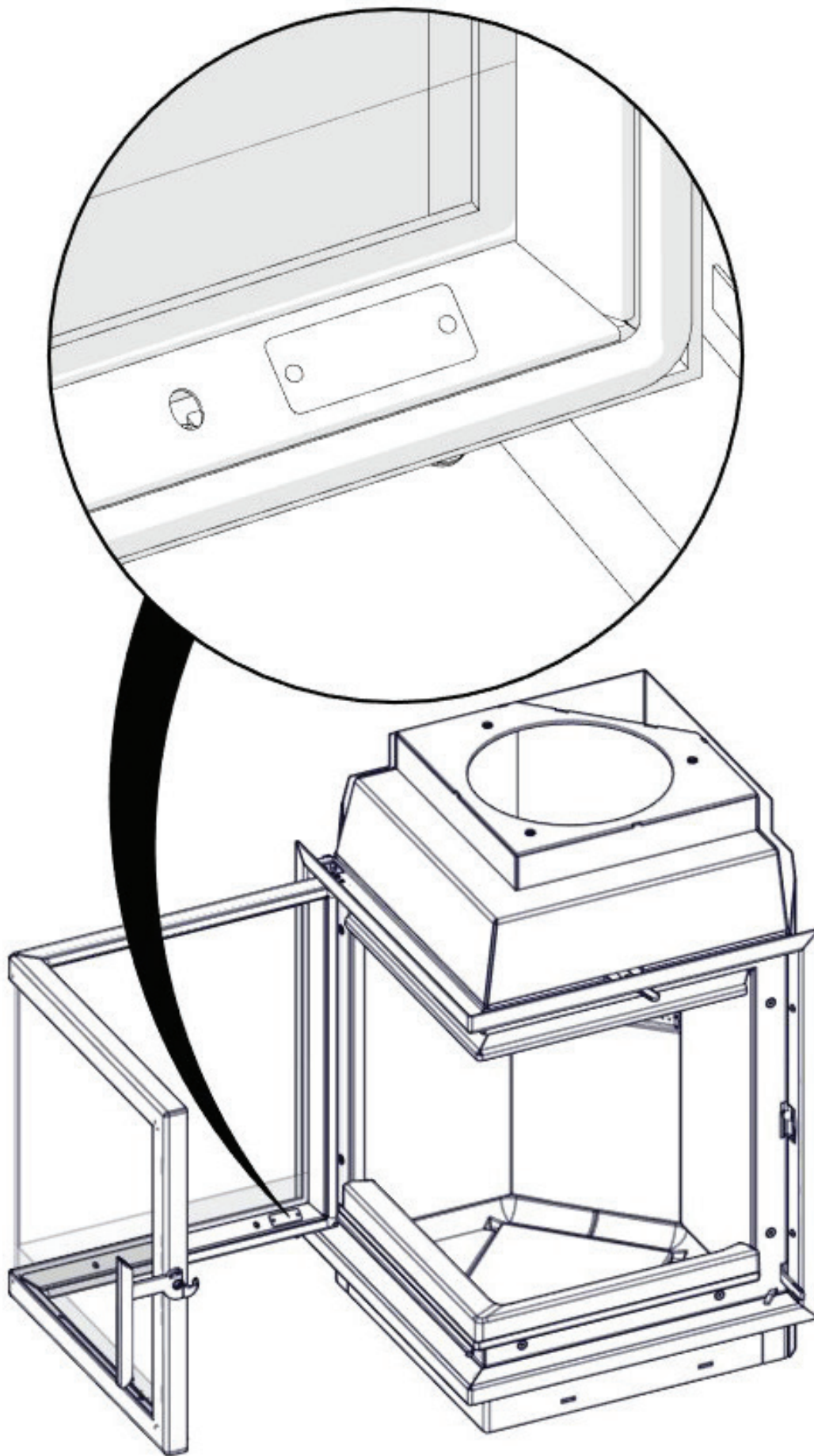
N-21



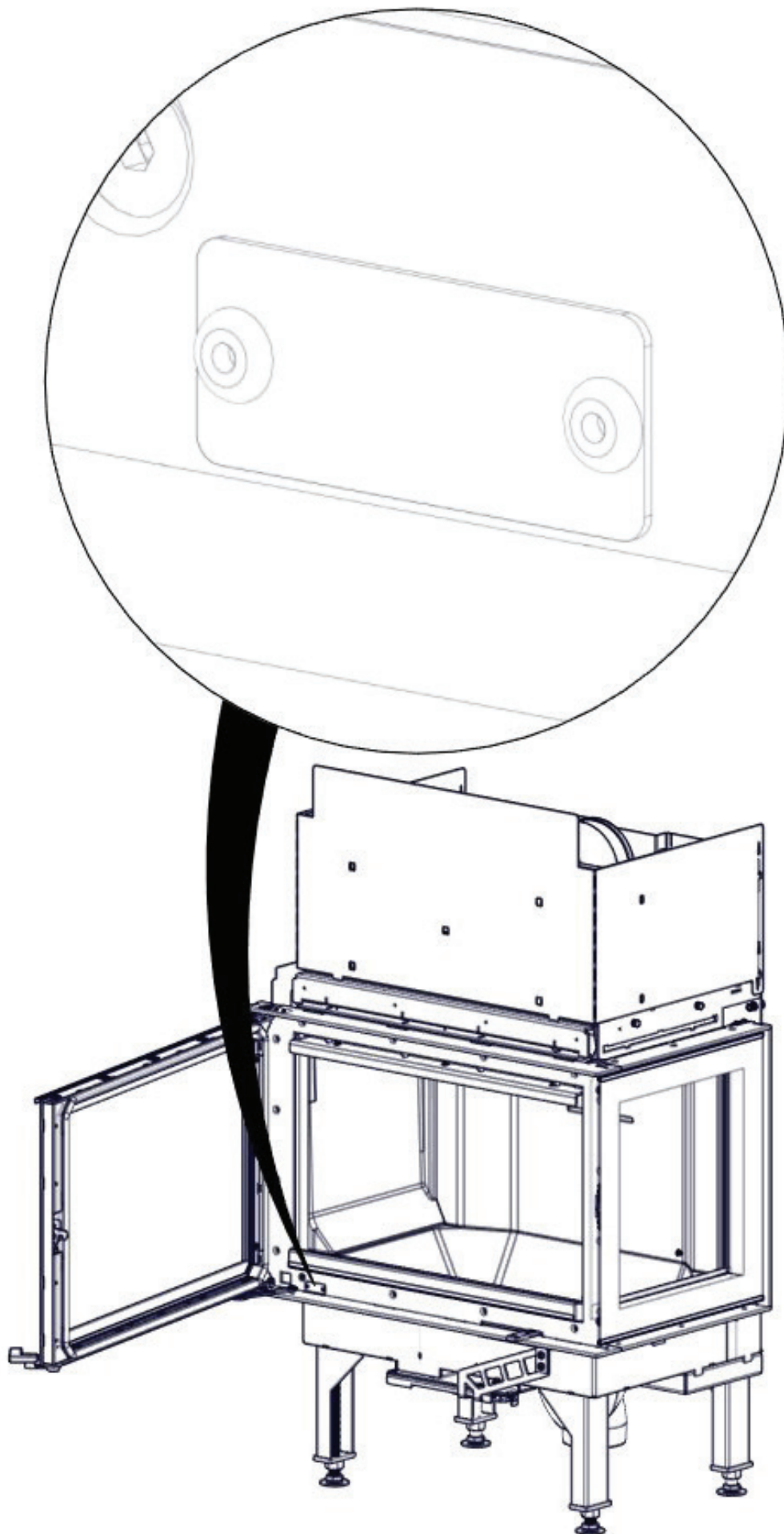
N-23G



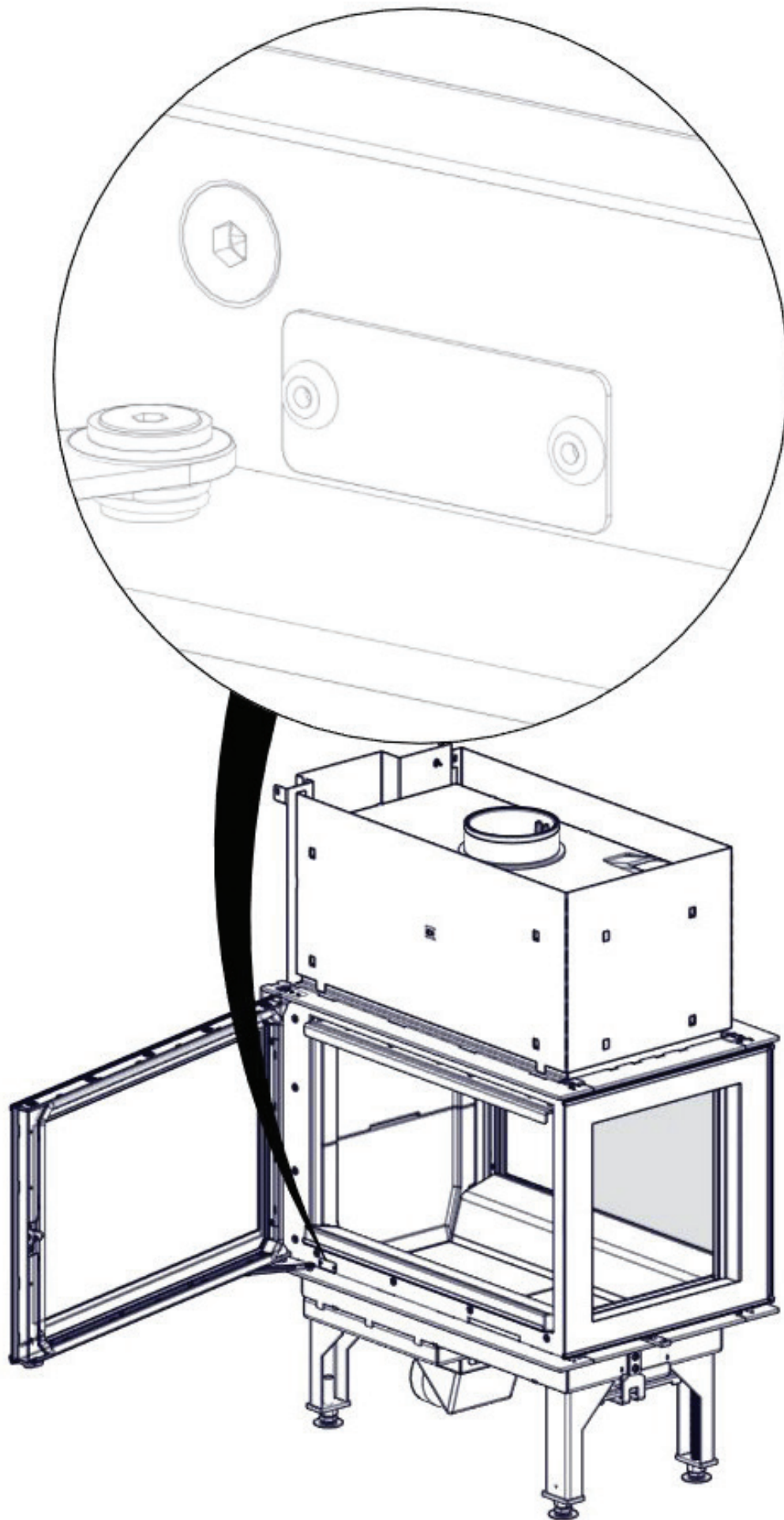
N-24



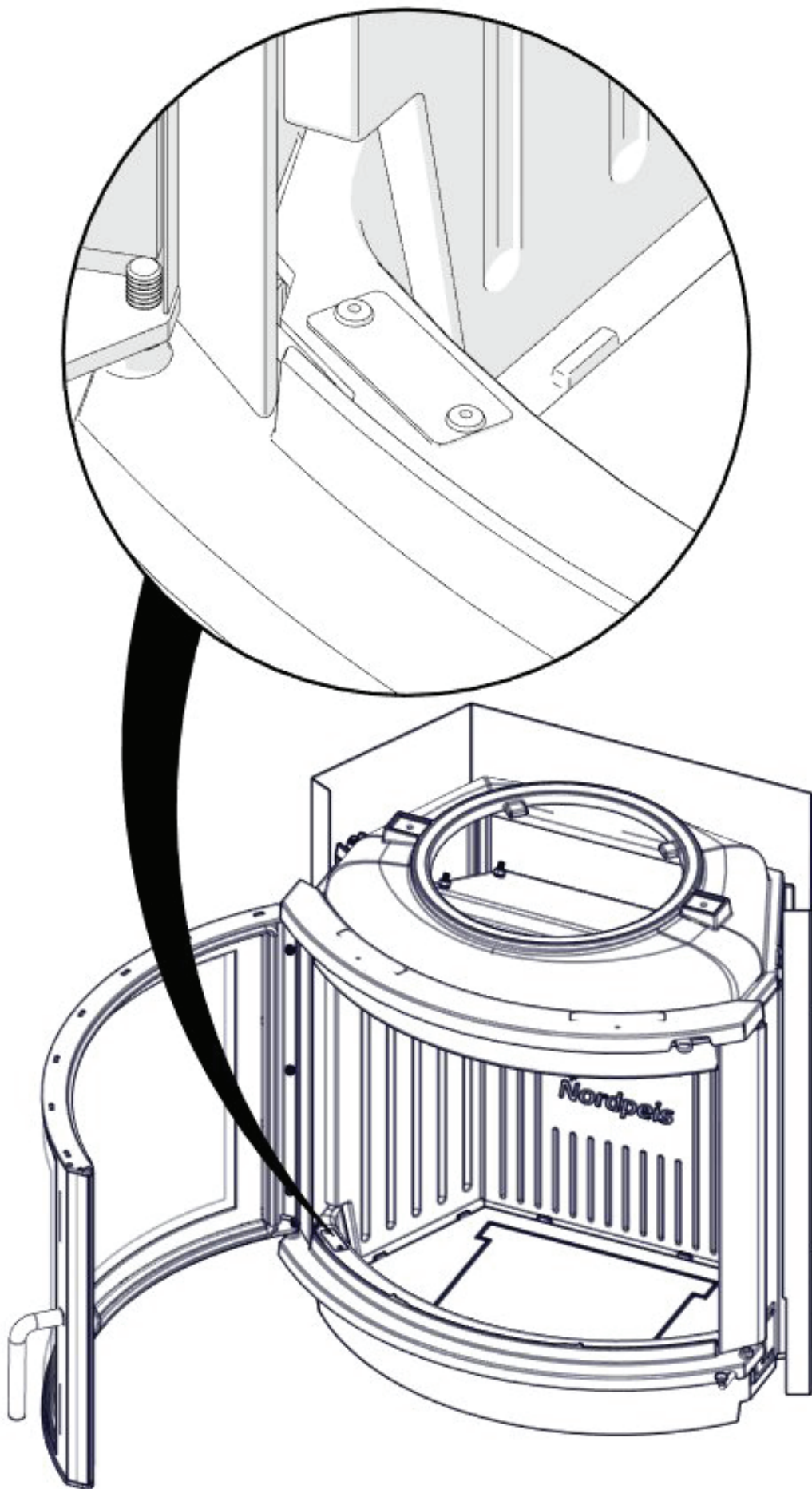
N-36A



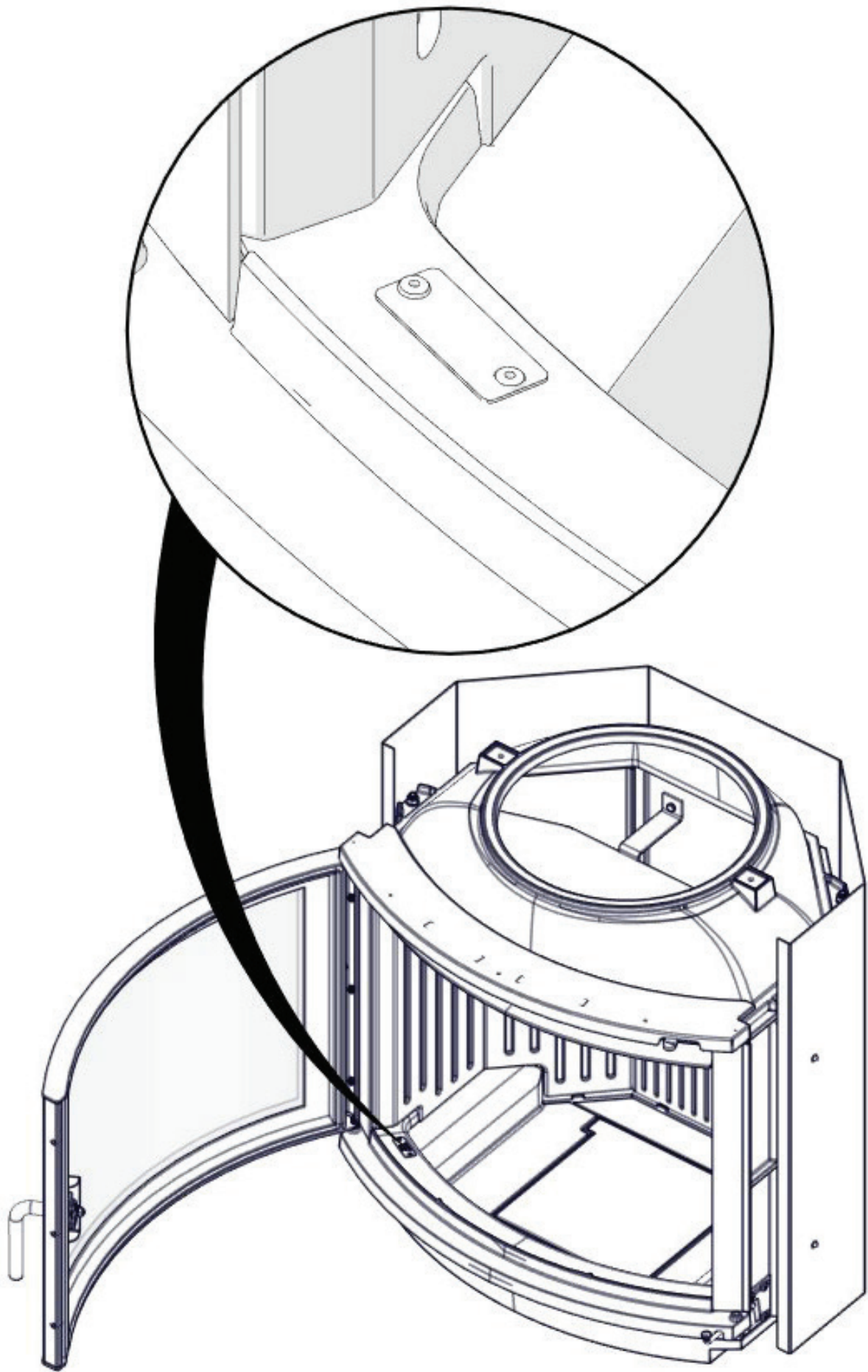
N-29U/A

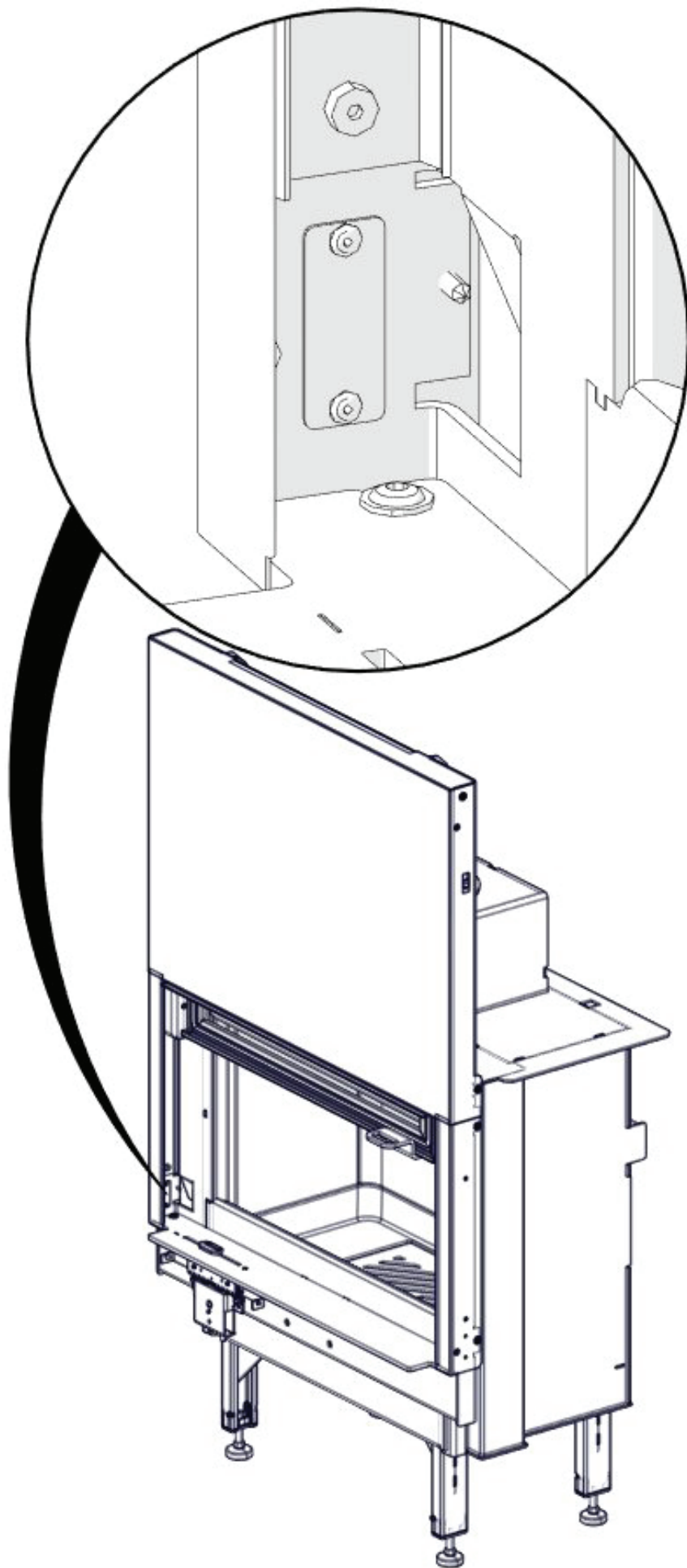


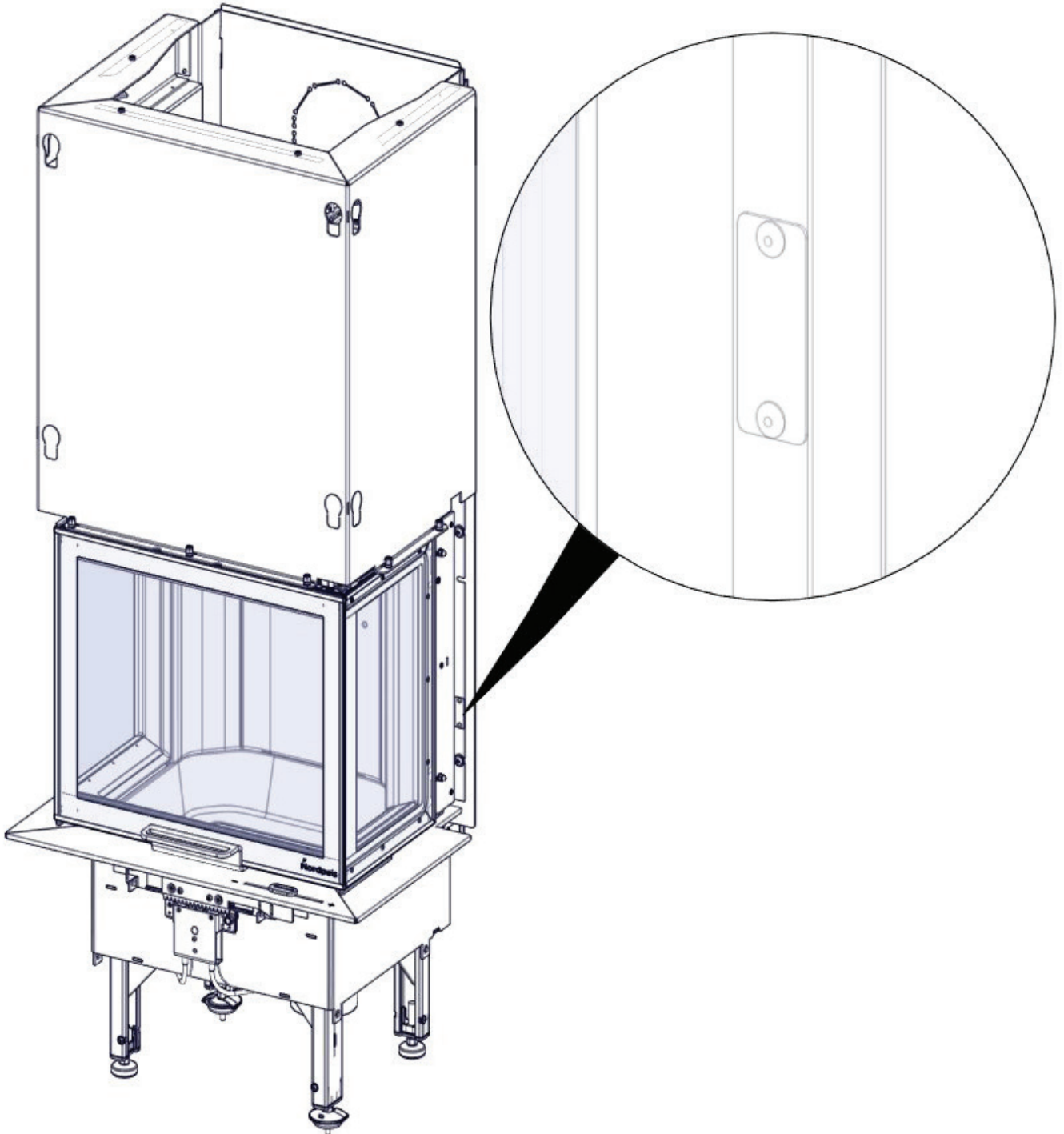
N-29P

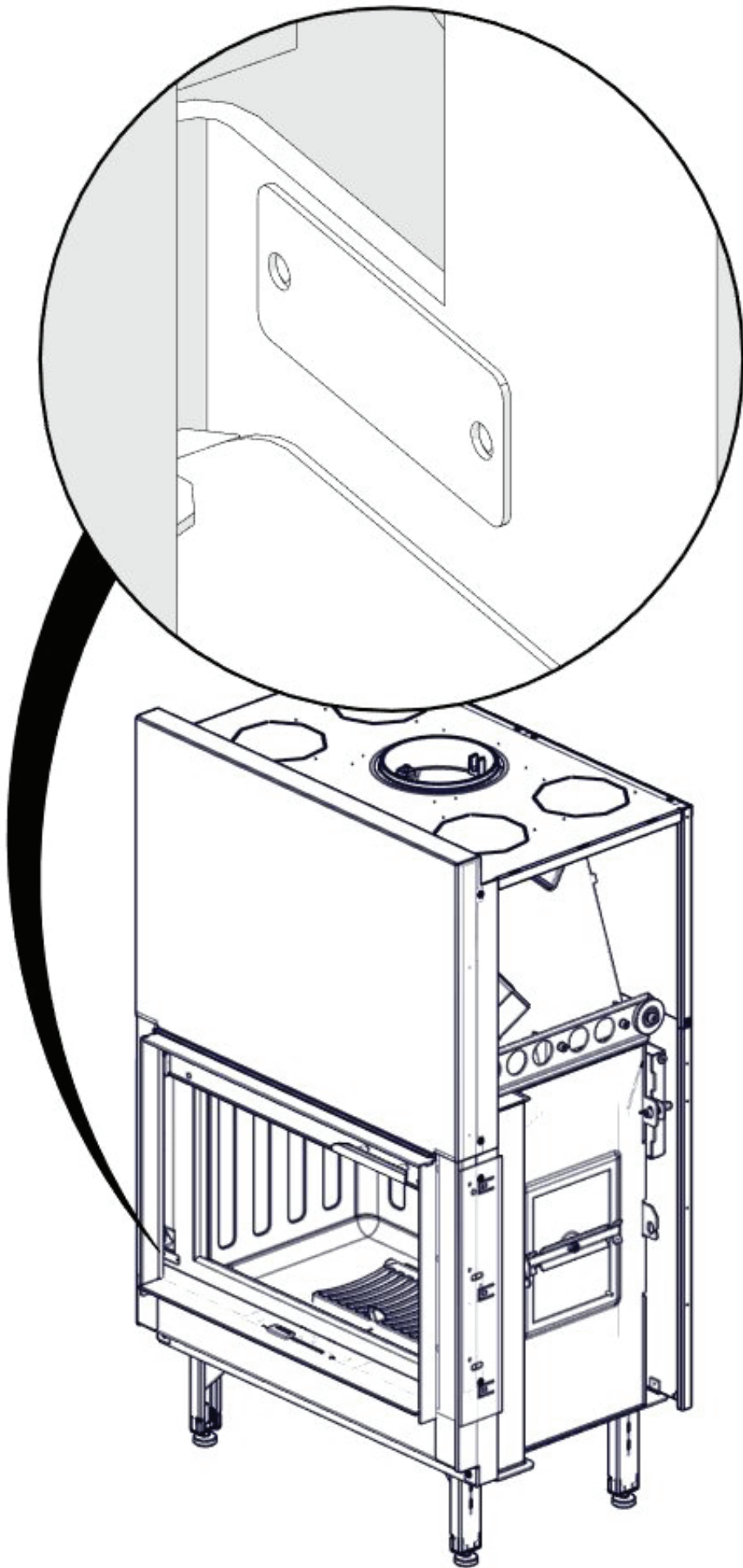


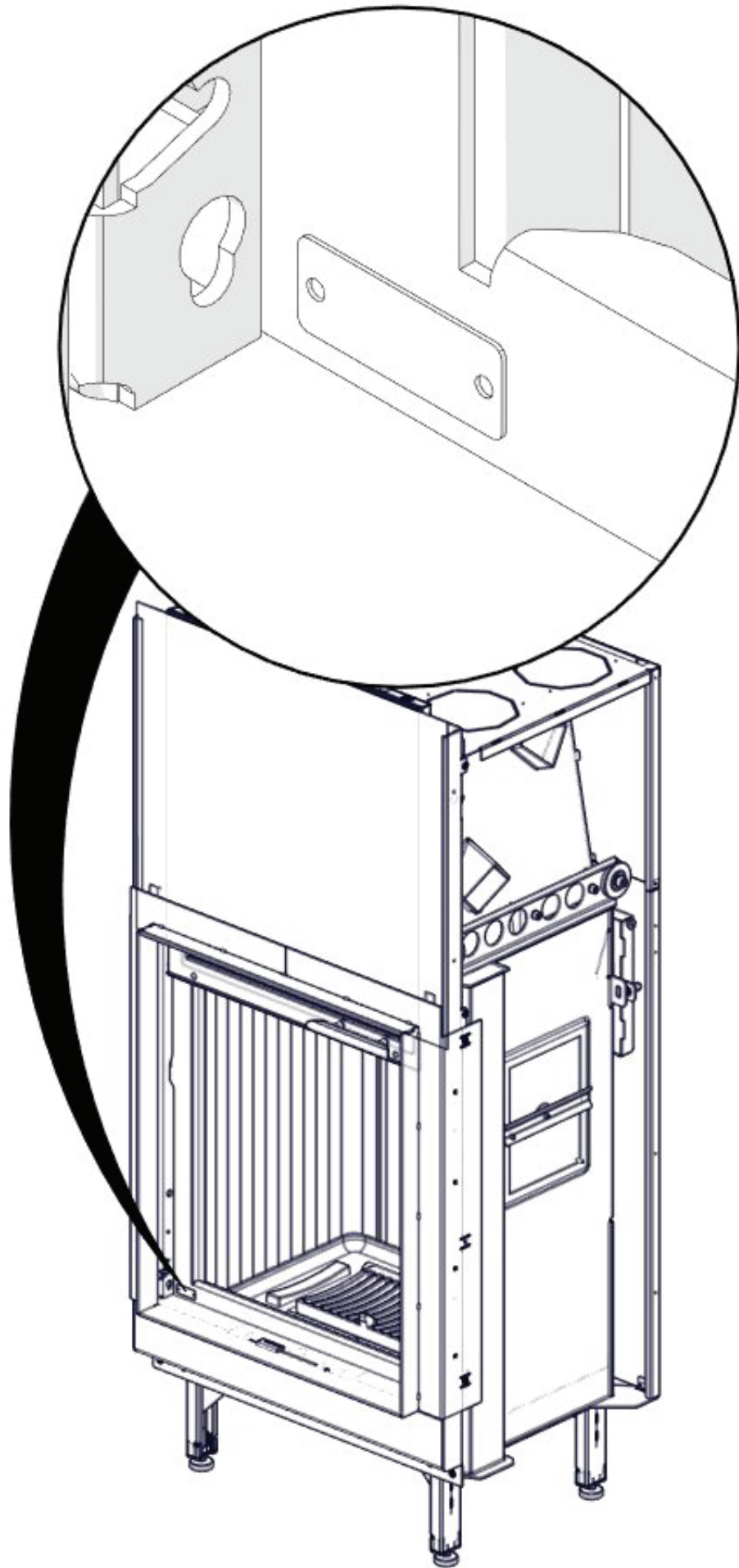
NI-22

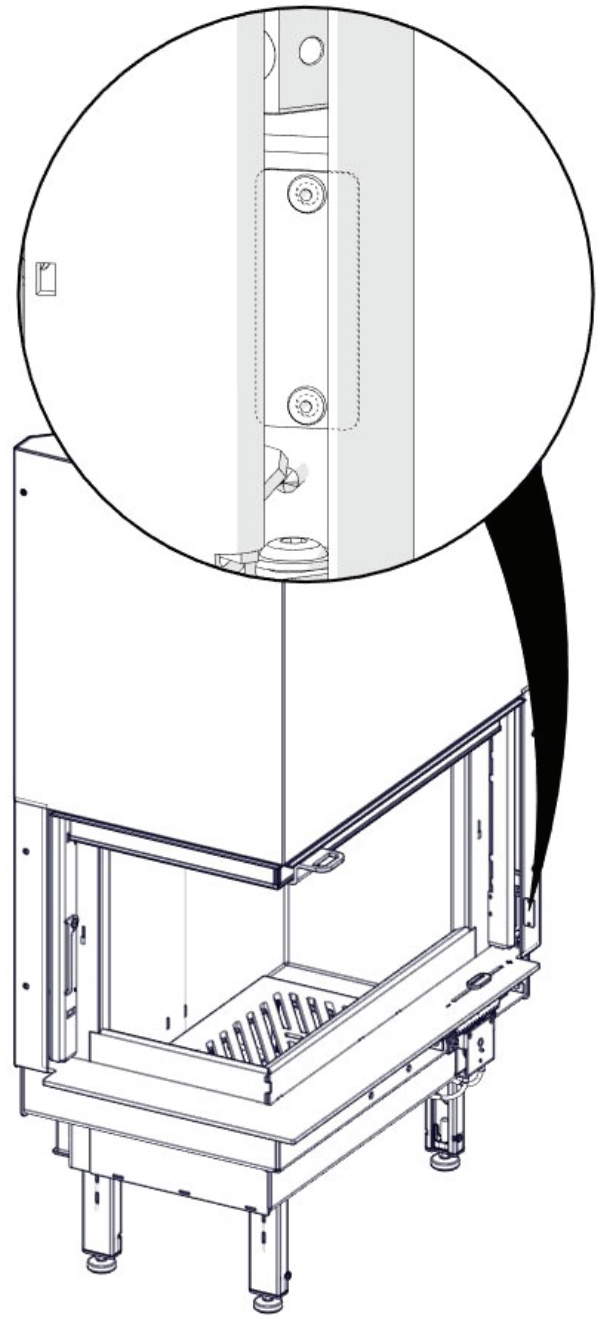
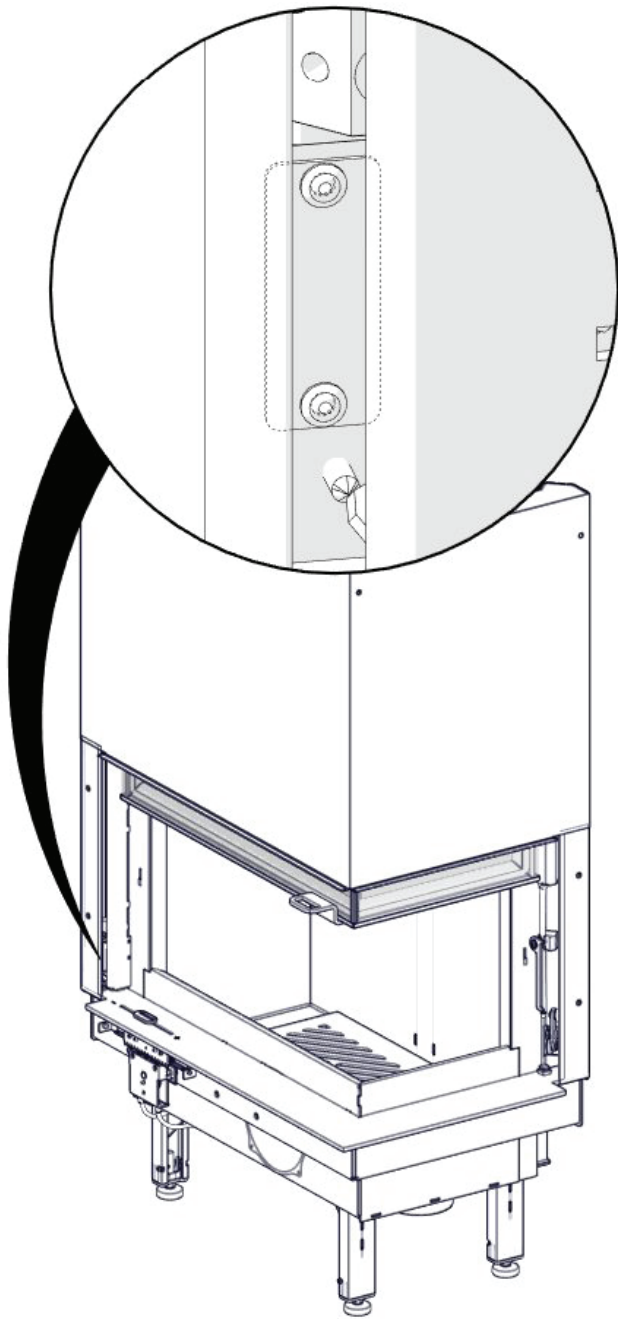


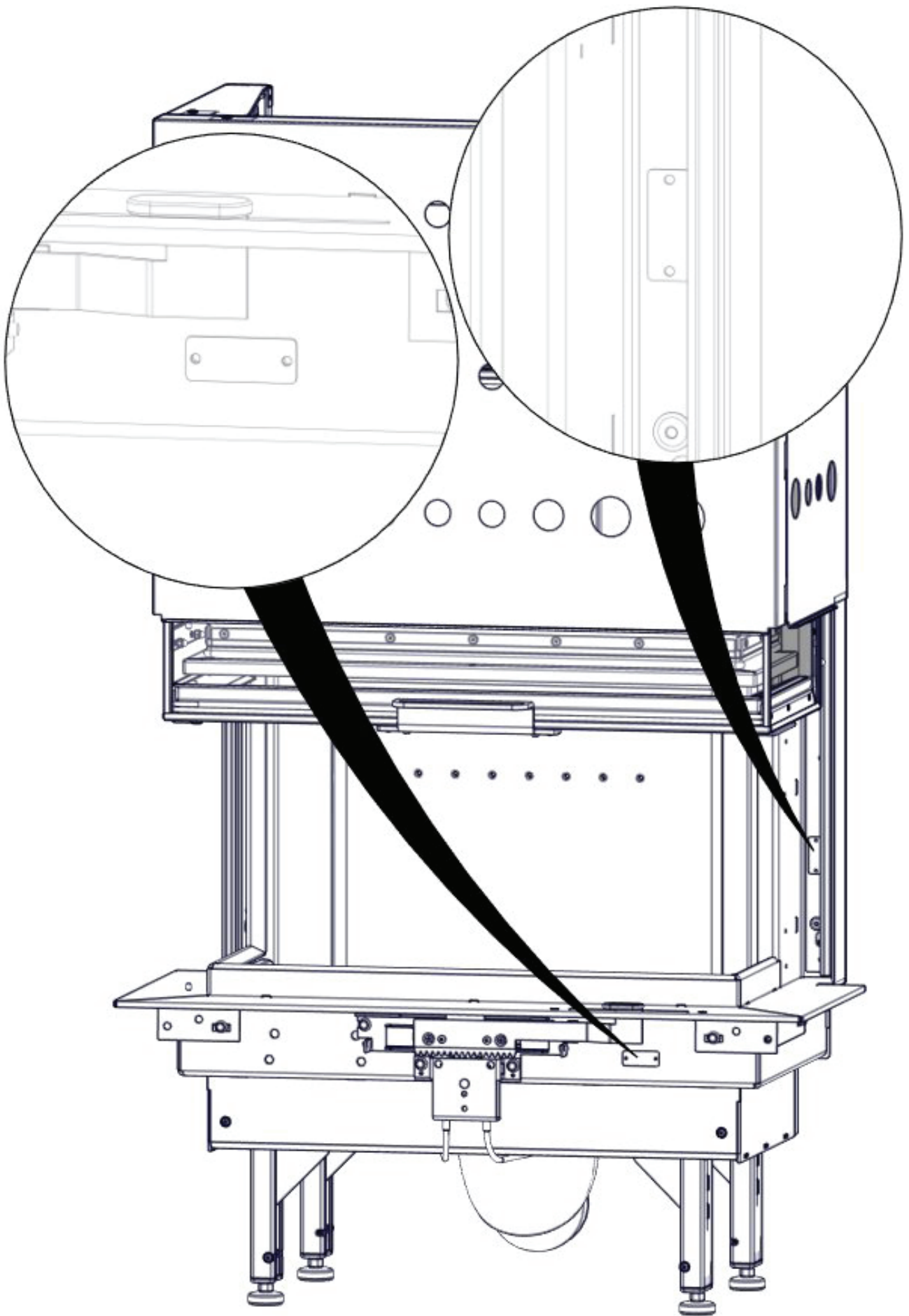




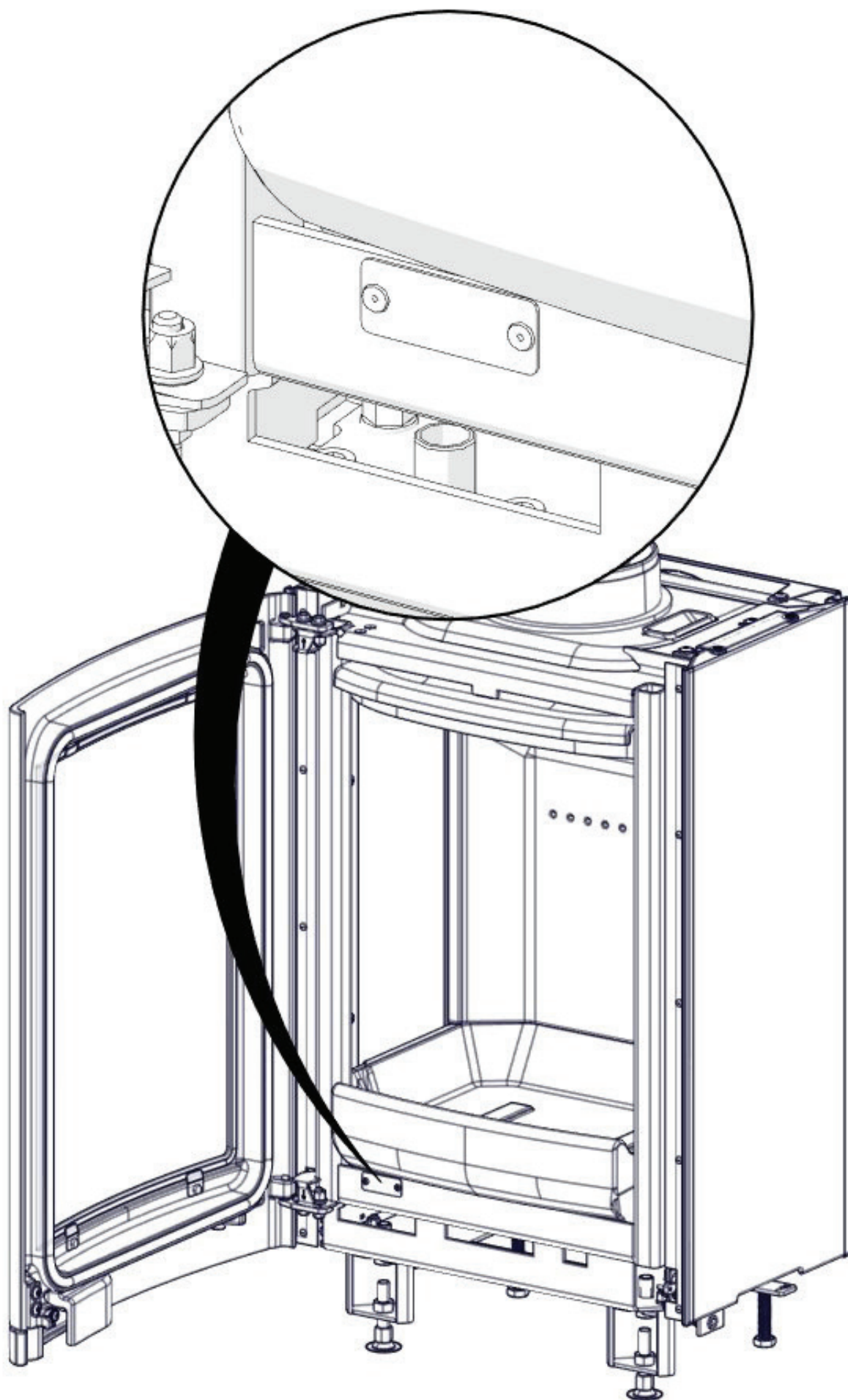




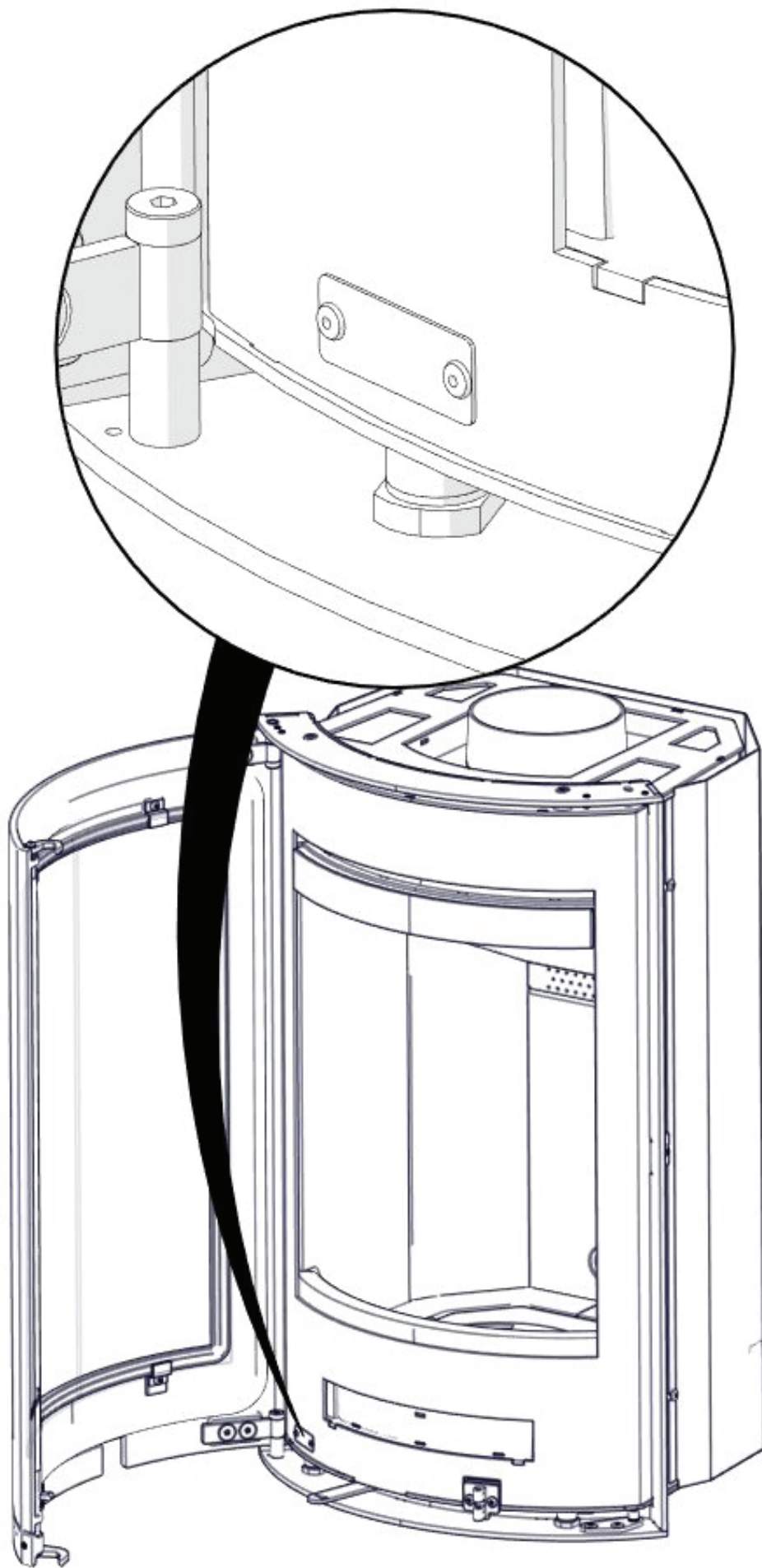




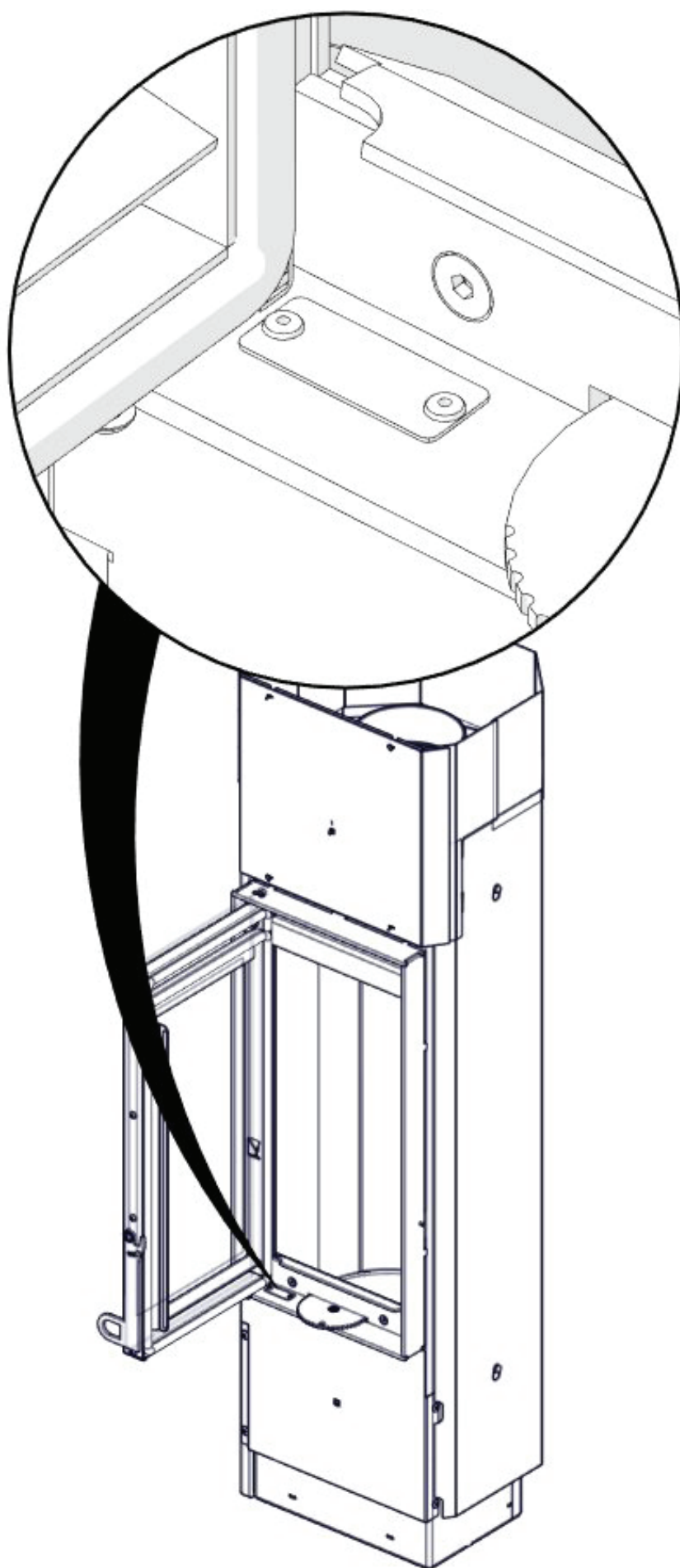
Q-34 UL



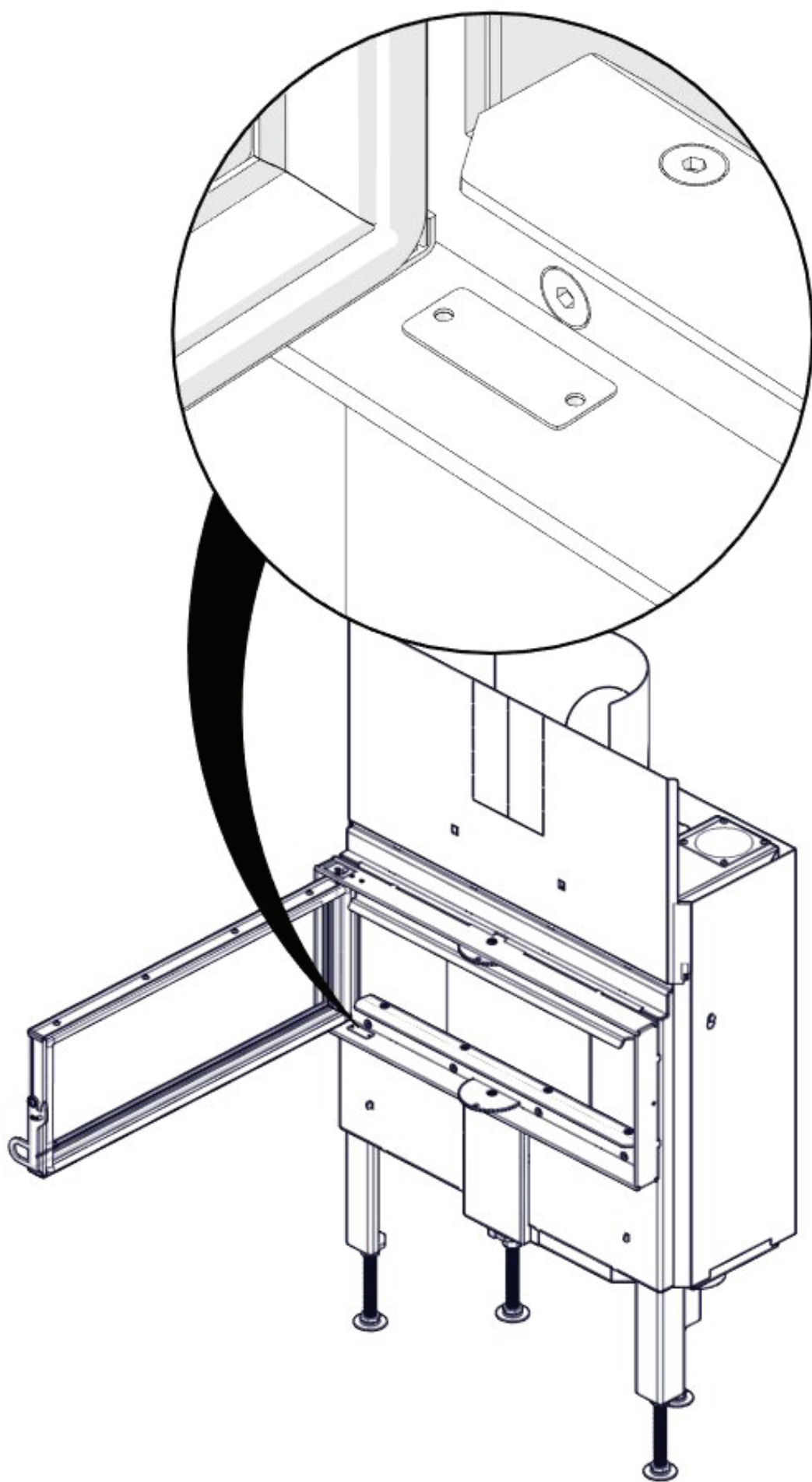
S-18F, S-18U



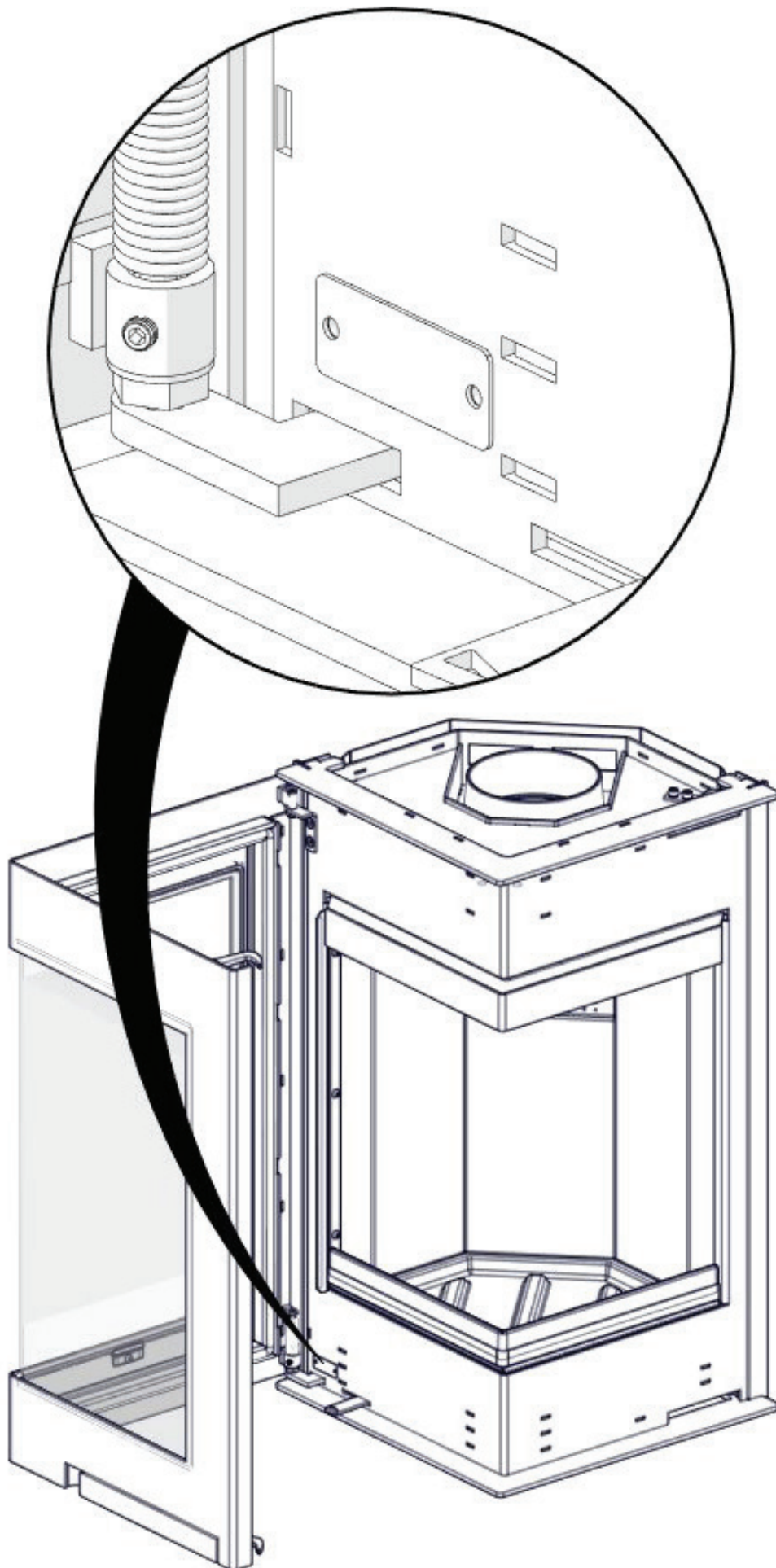
S-26R



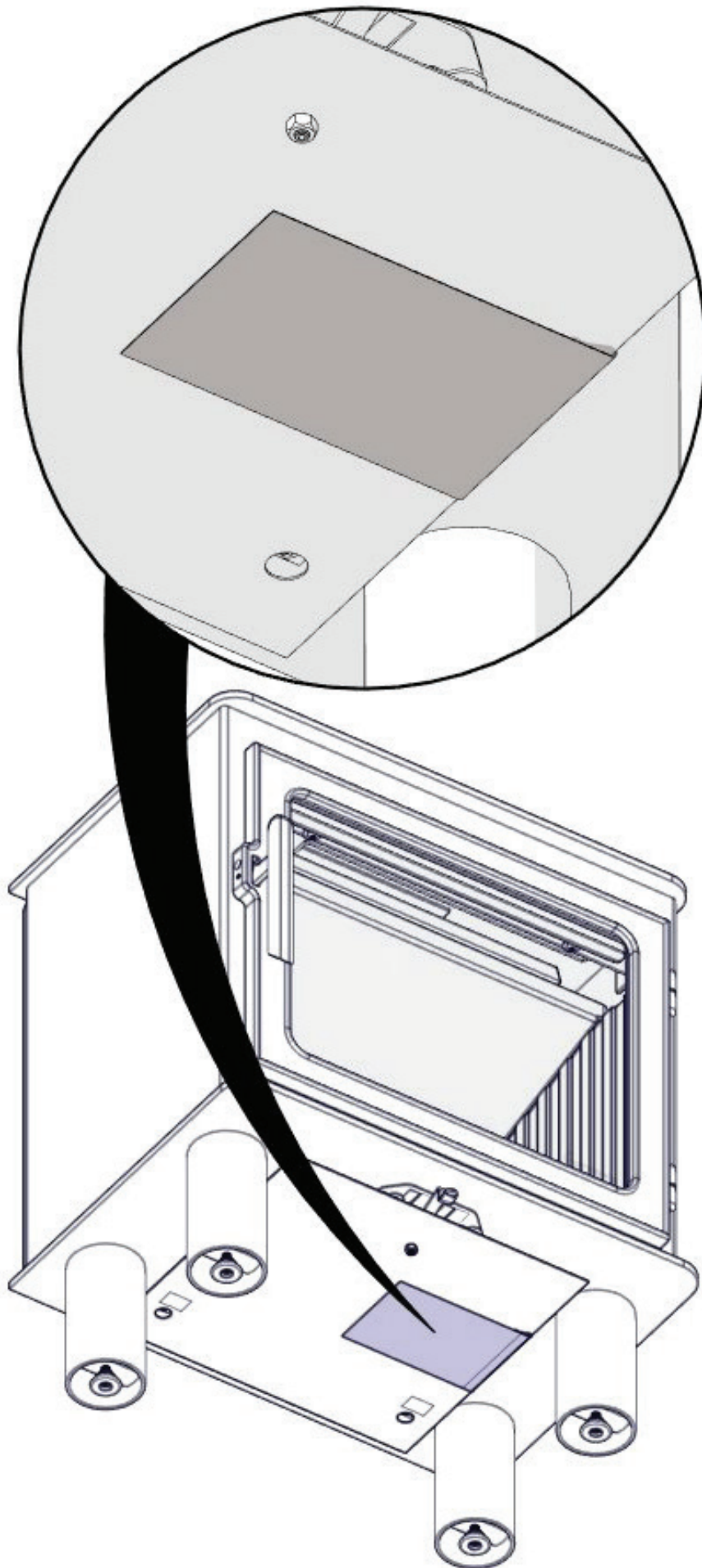
X-20F



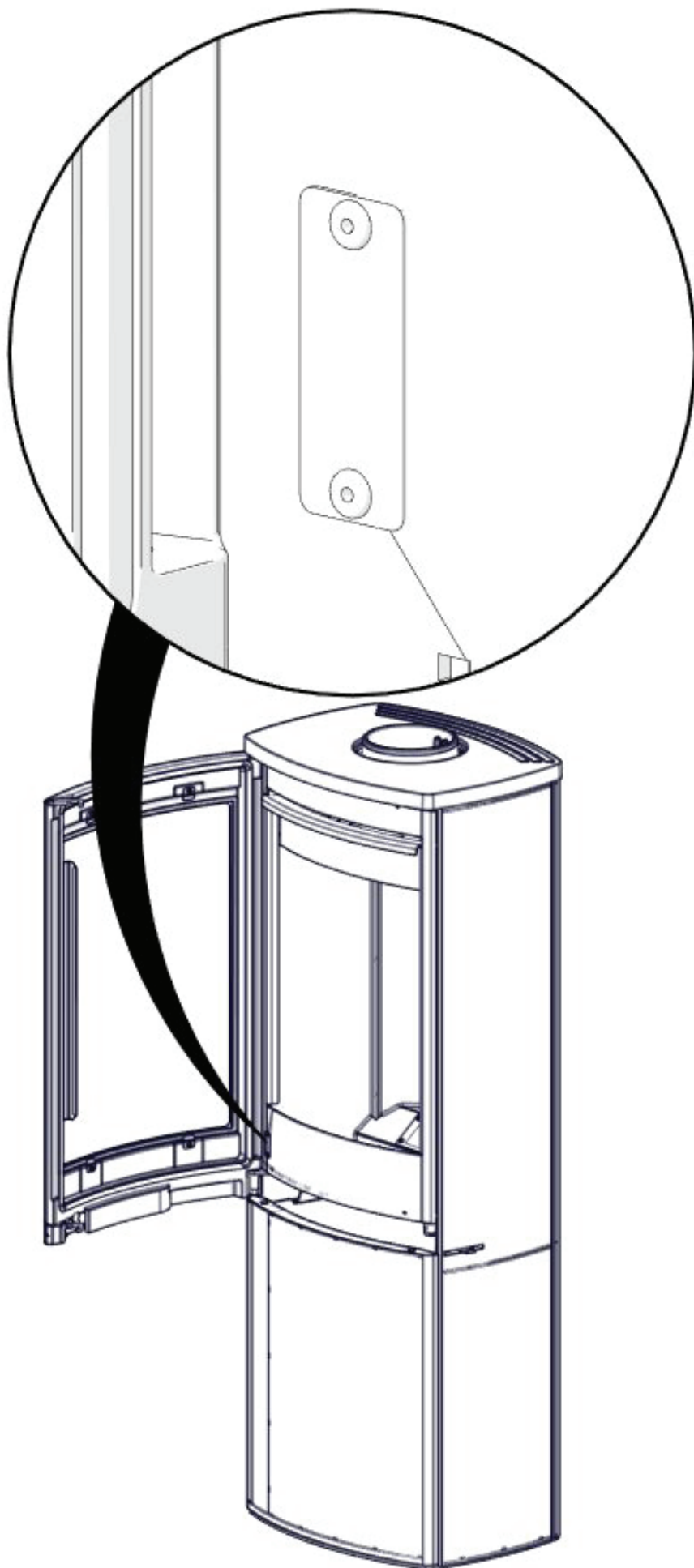
X-25F

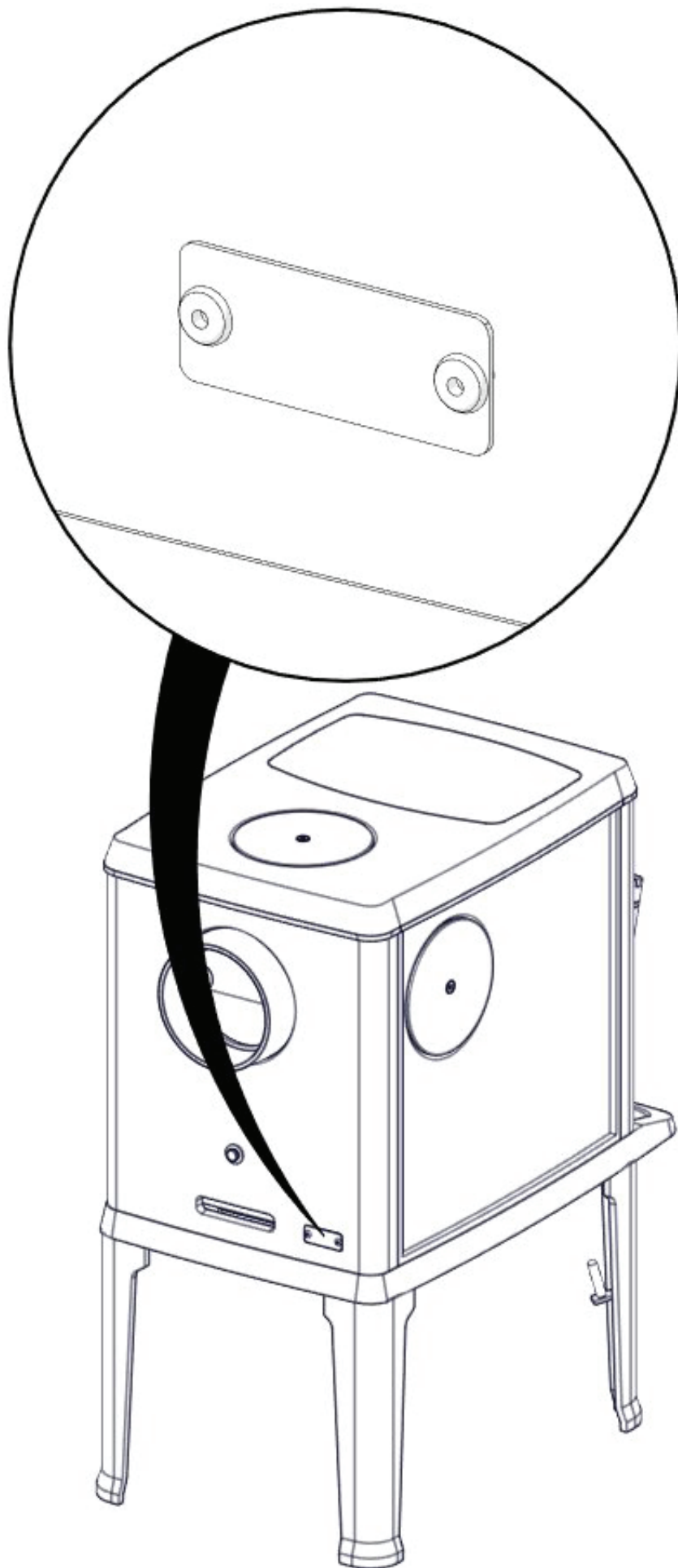


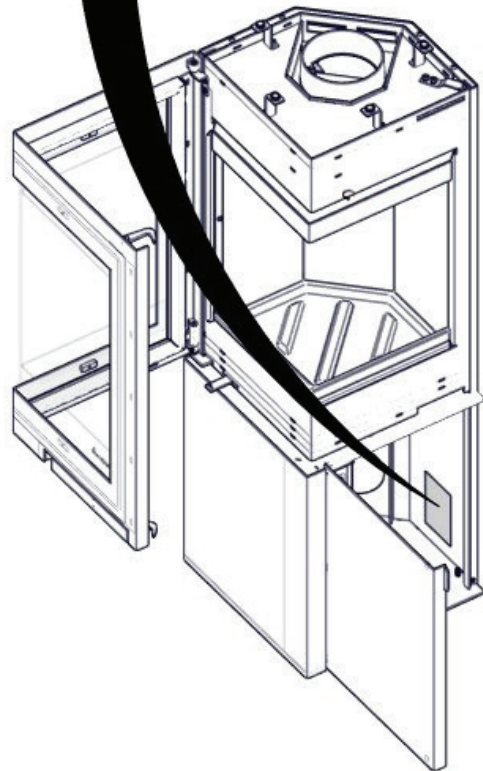
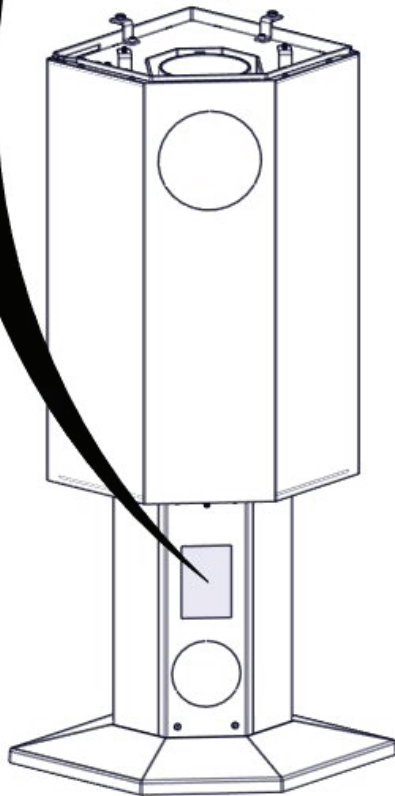
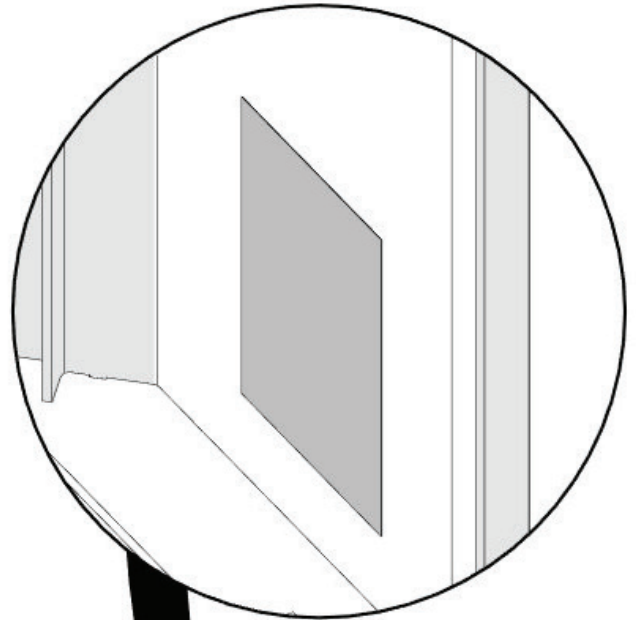
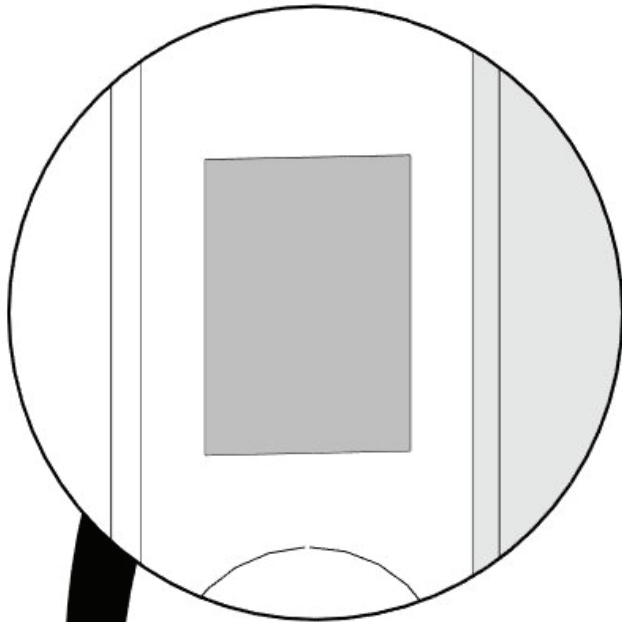
S-31A Basic / exclusive

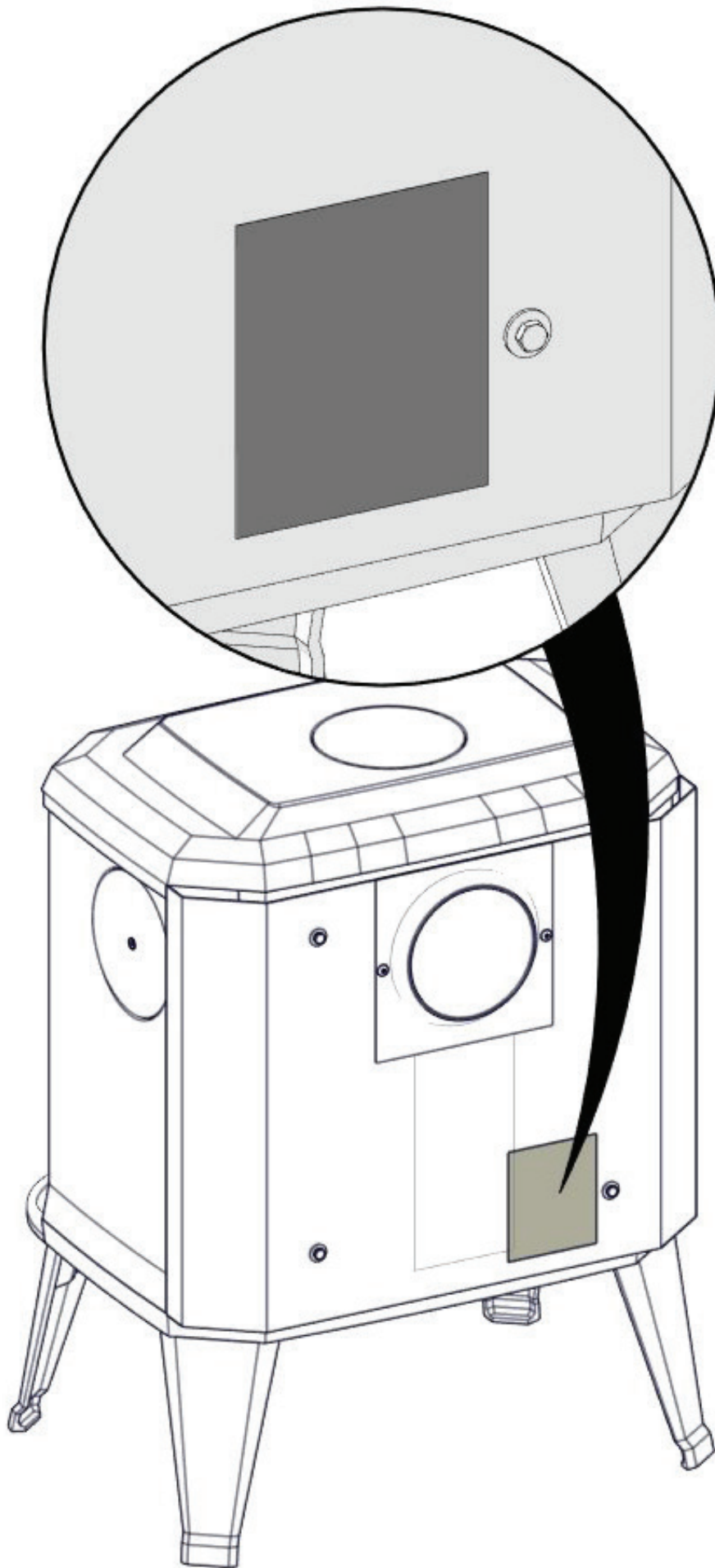


Bergen, Glasgow

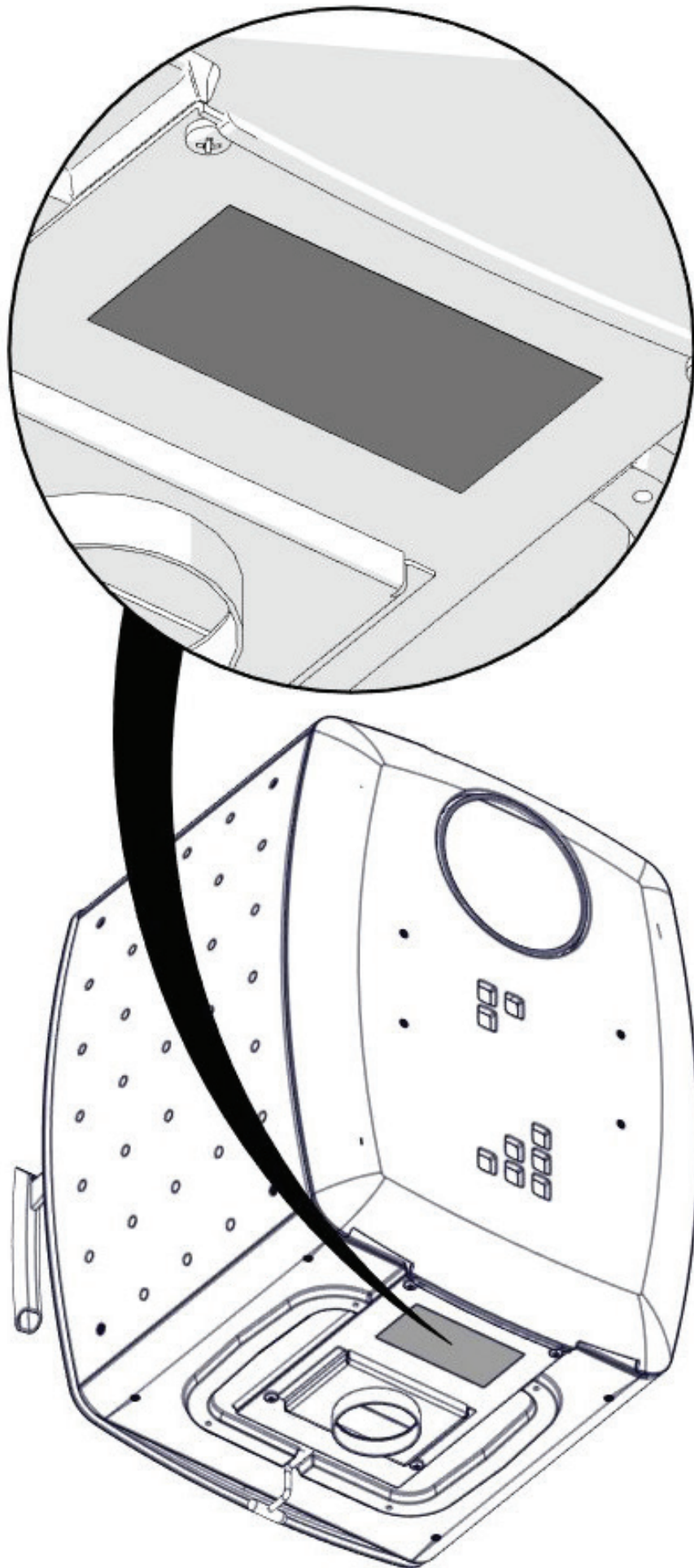


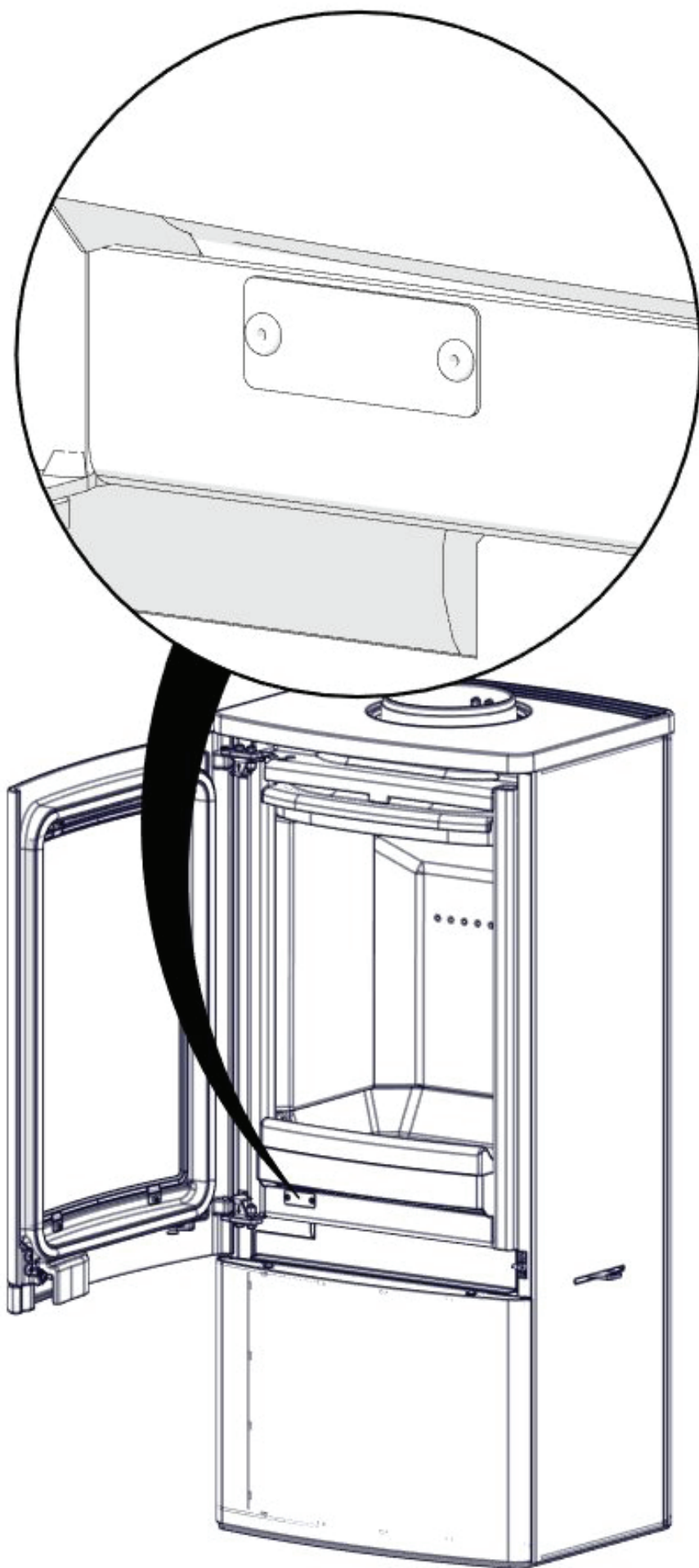




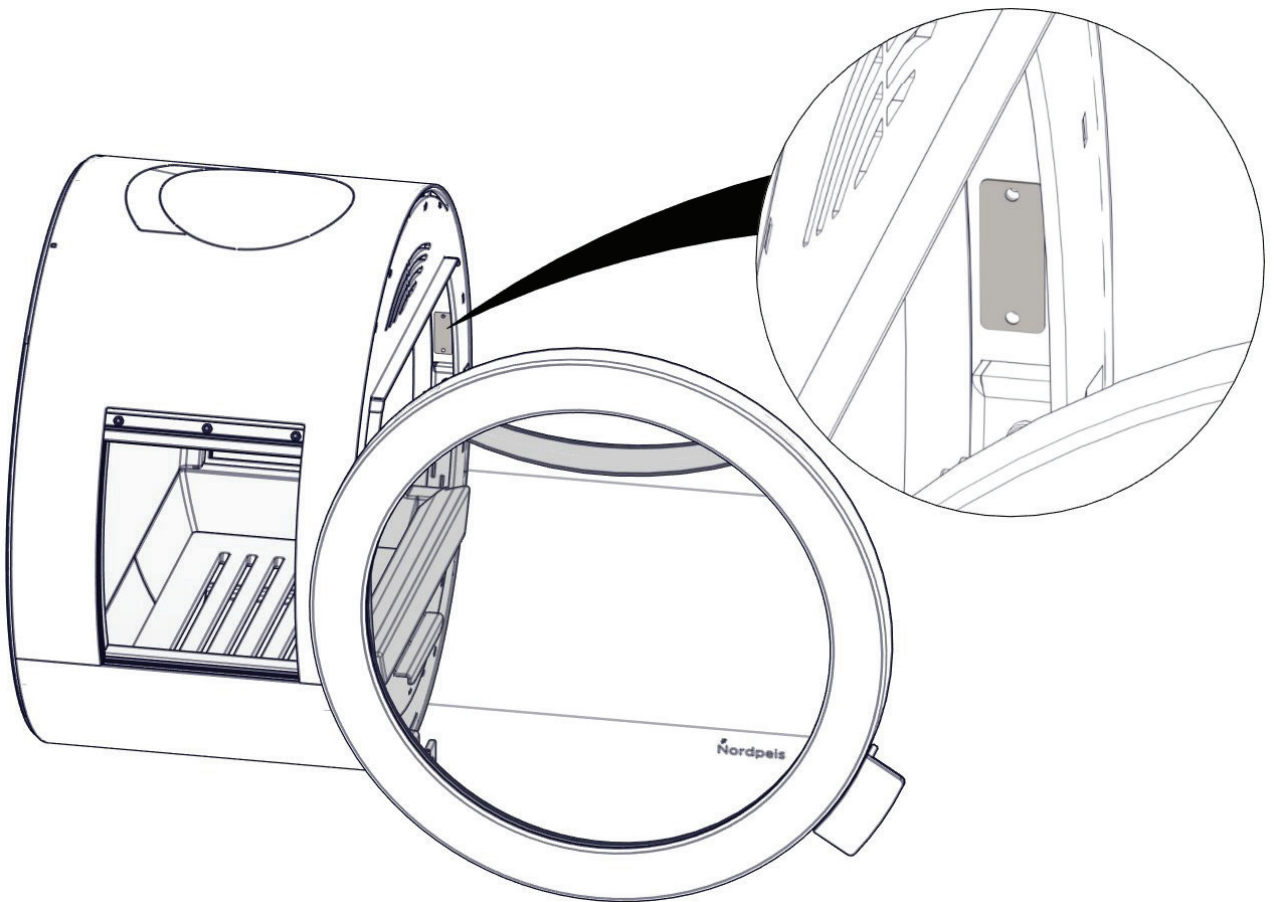
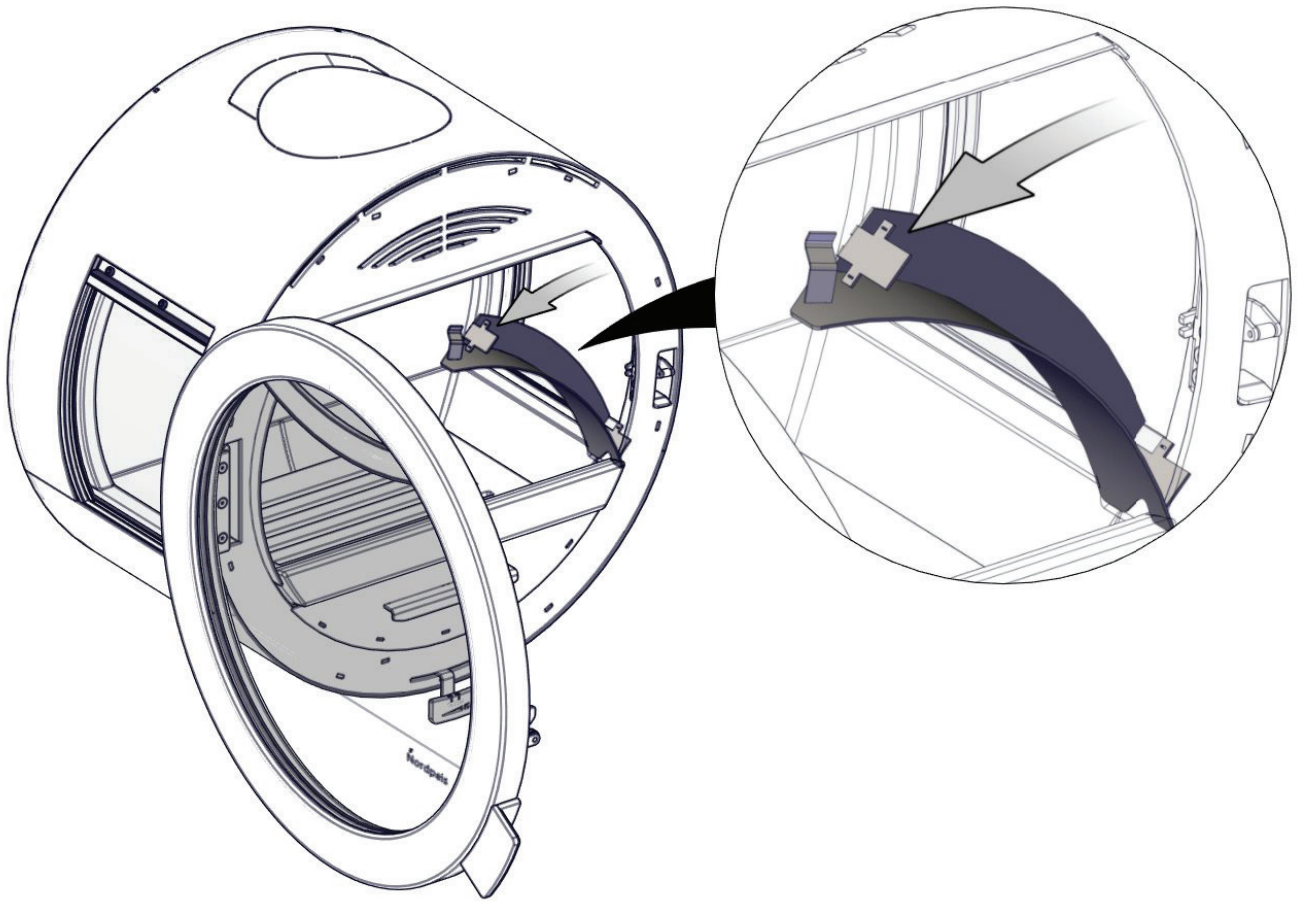


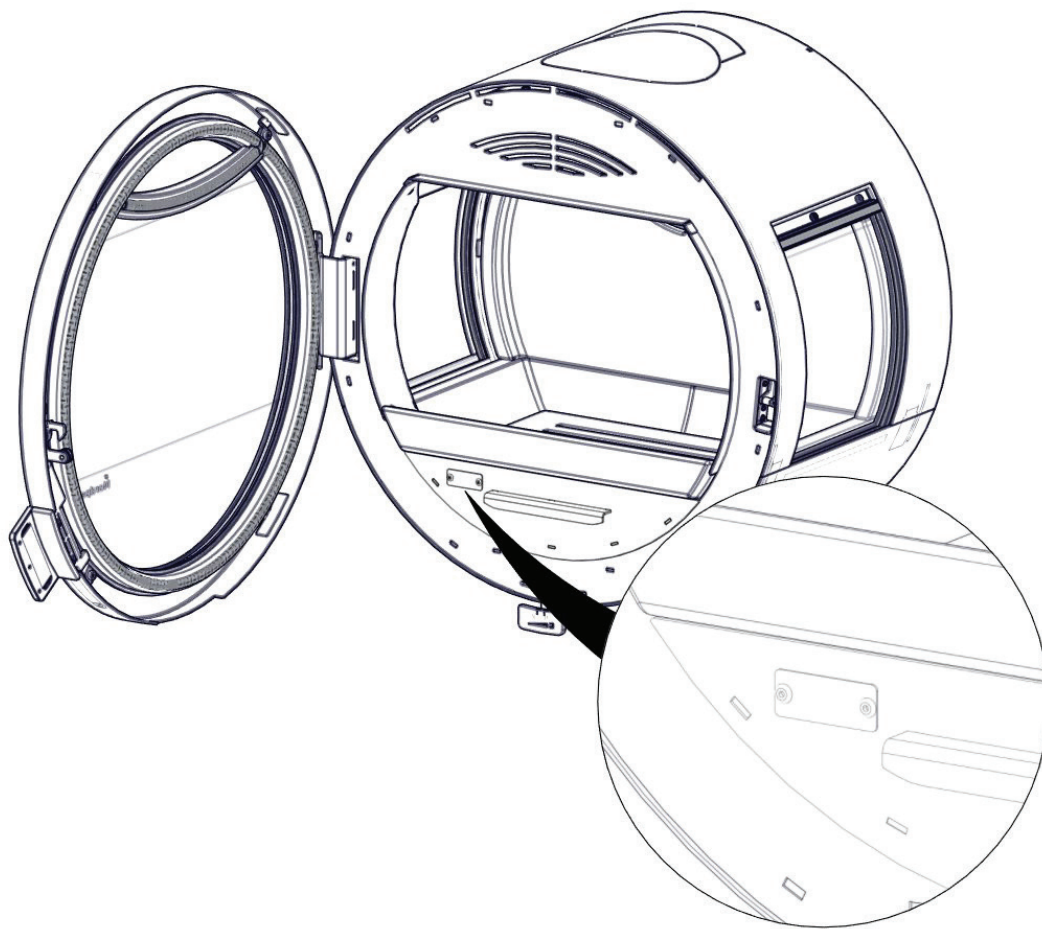
Saturn





Uno series





 Nordpeis

Nordpeis AS, Gjellebekkstubben 9/11, N-3420 Lierskogen, Norway
www.nordpeis.com