

Serial number placement

INDEX

1. ACCUMULATING STOVES

1.1 Salzburg C.....	4
1.2 Salzburg L Series.....	5
1.3 Salzburg M Series.....	6
1.4 Salzburg S.....	7
1.5 Salzburg XL.....	8

2. INSERTS

2.1 N-20A.....	9
2.2 N-20F.....	10
2.3 N-20T.....	11
2.4 N-20U.....	12
2.5 N-21.....	13
2.6 N-23G.....	14
2.7 N-24.....	15
2.8 N-36A.....	16
2.9 NI-22.....	17
2.10 NI-25.....	18
2.11 Q-23.....	19
2.12 Q-27.....	20
2.13 Q-30.....	21
2.14 Q-34 AL.....	22
2.15 Q-34 UL.....	23
2.16 S-18F, S-18U.....	24
2.17 S-26R.....	25
2.18 X-20F.....	26
2.19 X-25F.....	27
2.19 X-25F.....	27
2.20 S-31A.....	28

3. STOVES

3.1 Bergen, Glasgow.....	29
3.2 Duo.....	30
3.3 Orion.....	31
3.4 Quadro.....	32
3.5 Saturn.....	33
3.6 Smarty.....	34
3.7 Uno.....	35
3.8 Me.....	36

Surrounds

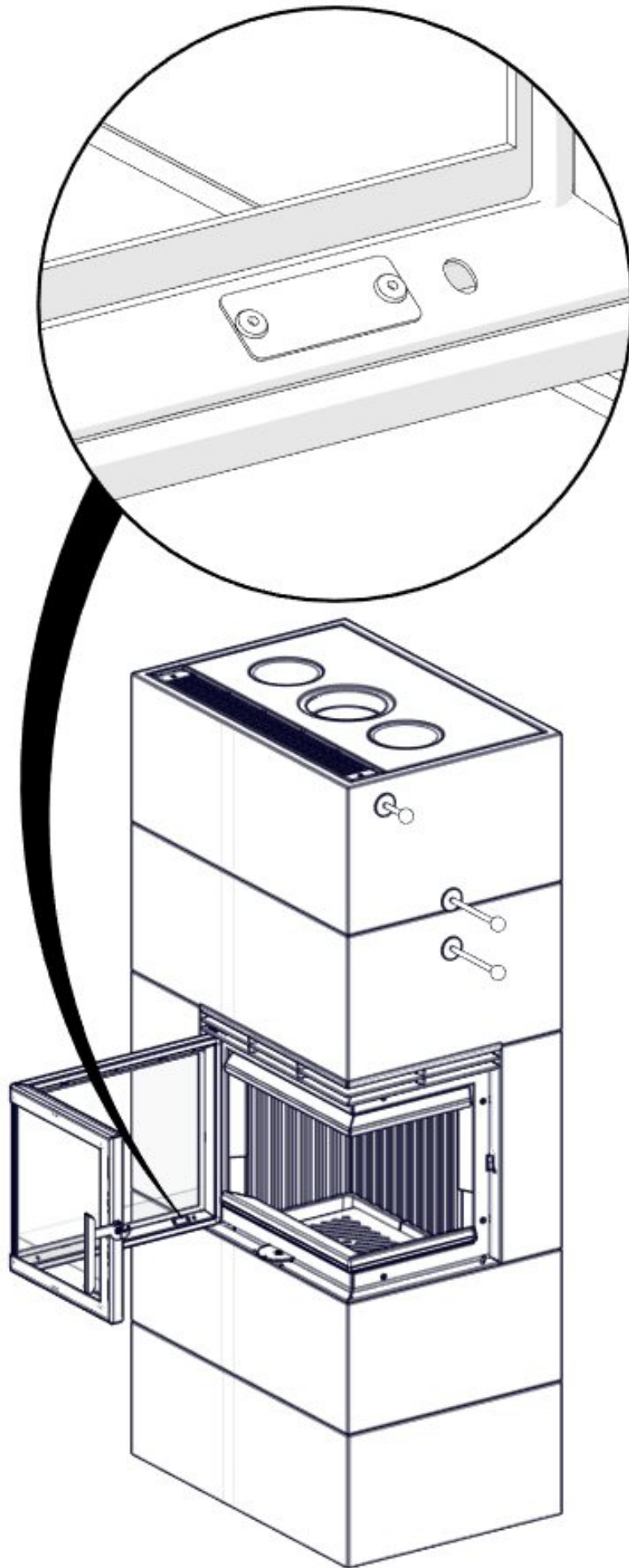
The serial number is to be found on a white or green sticker placed on a type label on one of the pallet sides, table of delivery, manual instruction and on one of the surround elements.

Accumulating stoves - surrounds parts

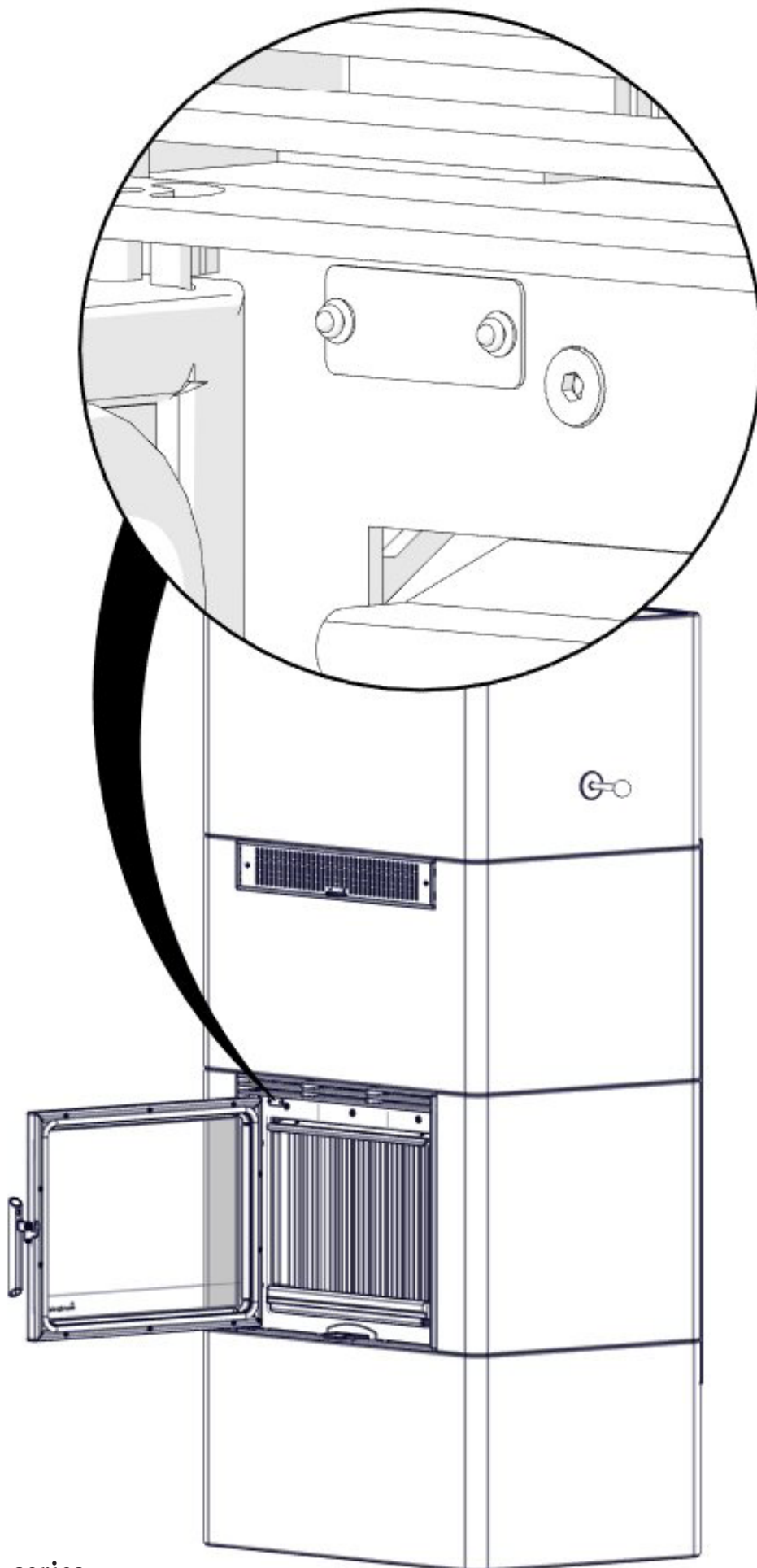
The serial number is to be found on the Warranty card and CE label as well as on a white or green sticker placed on a pallet side, table of delivery, manual instruction and one of the surround elements.

Accessories

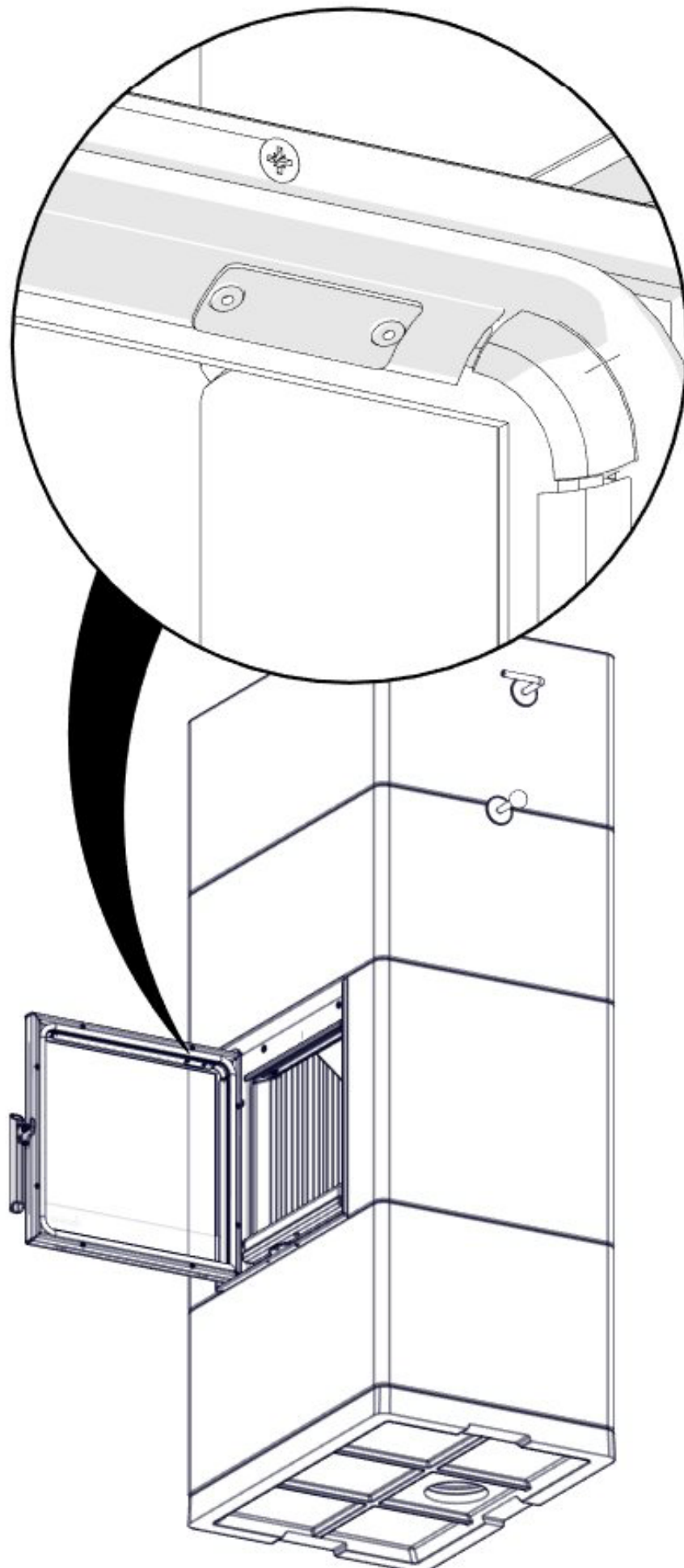
The serial number is to be found on a white or green sticker, placed on a type label and on the table of delivery.



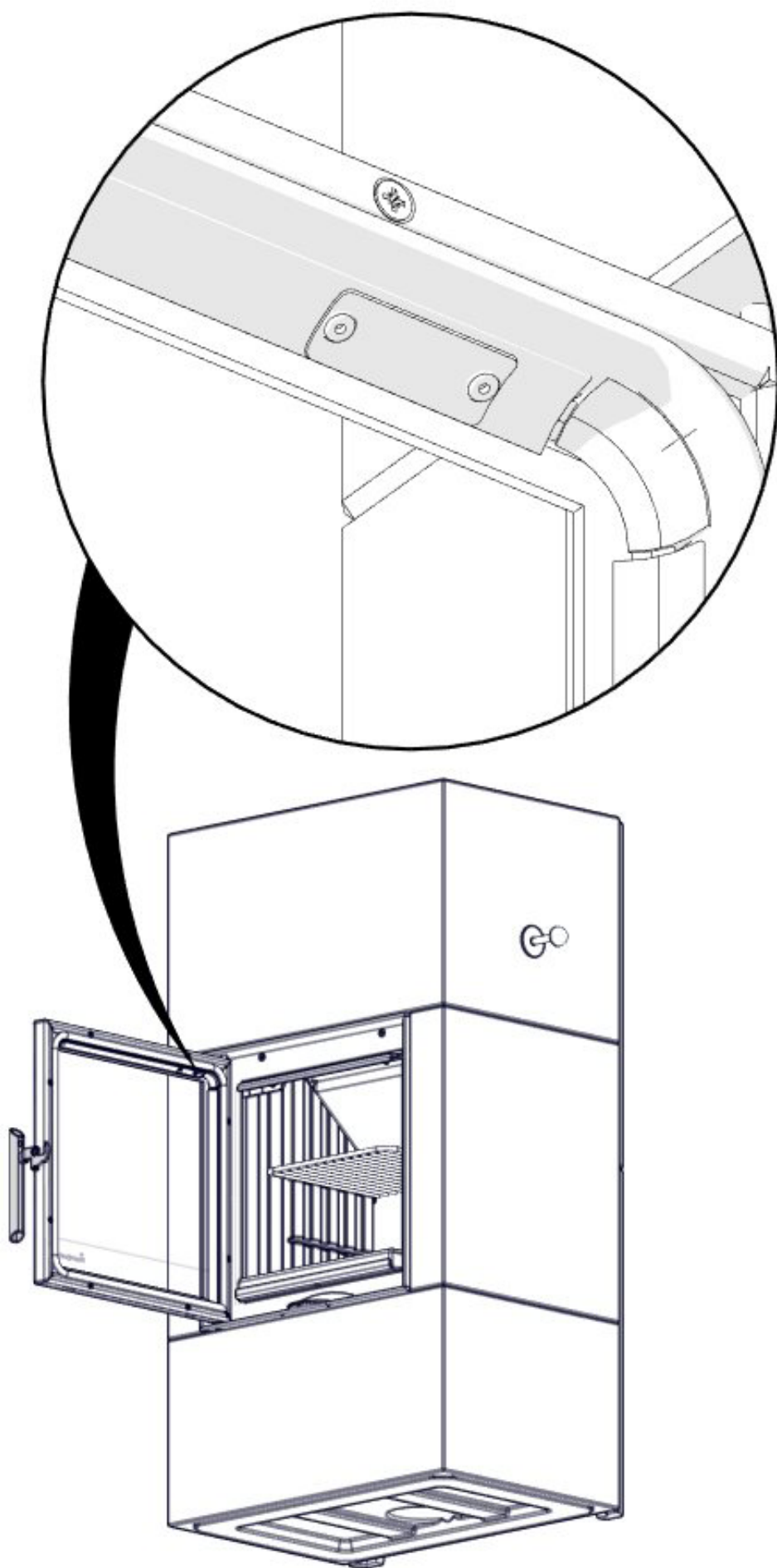
Salzburg C



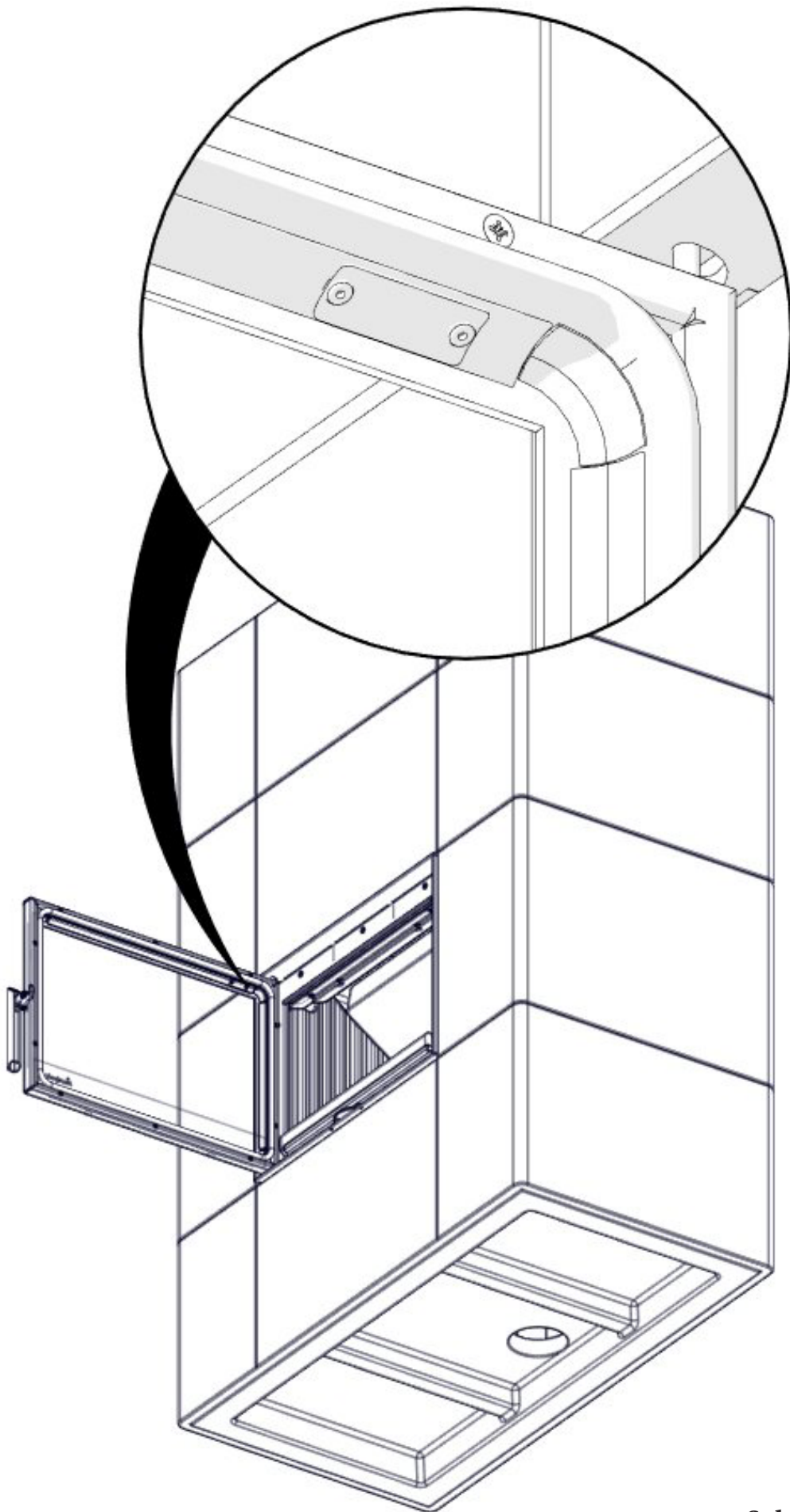
Salzburg L series



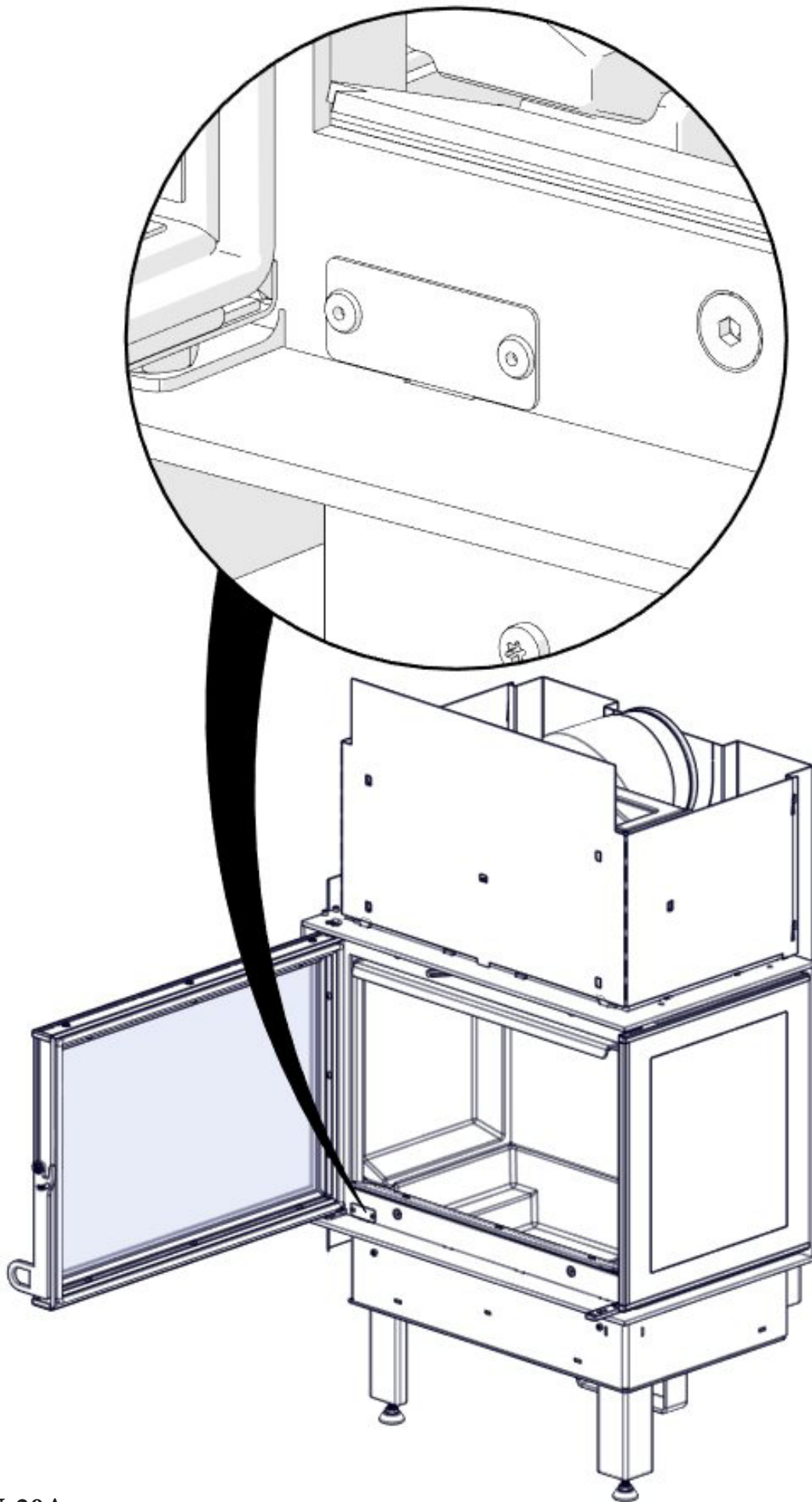
Salzburg M



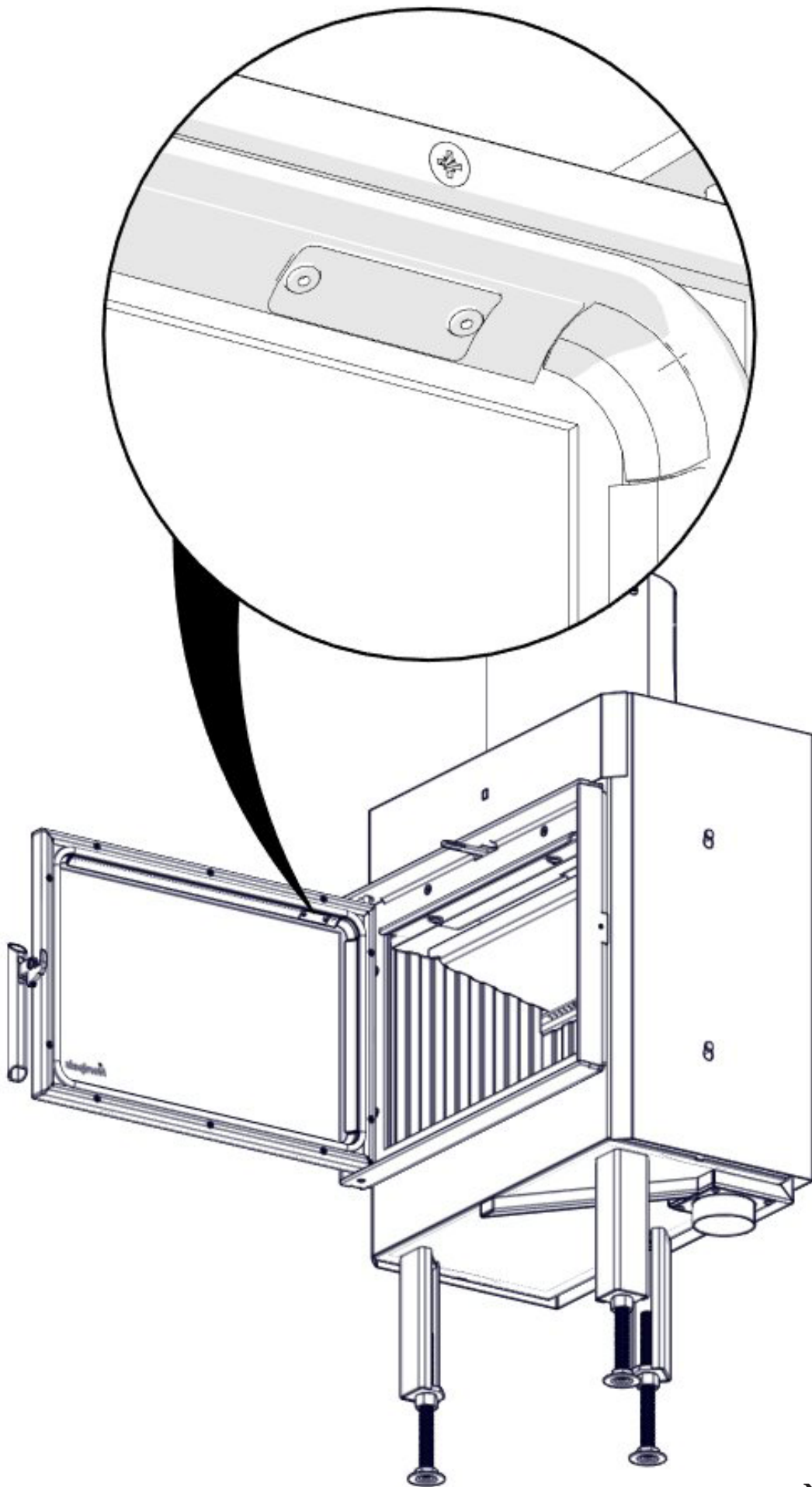
Salzburg S



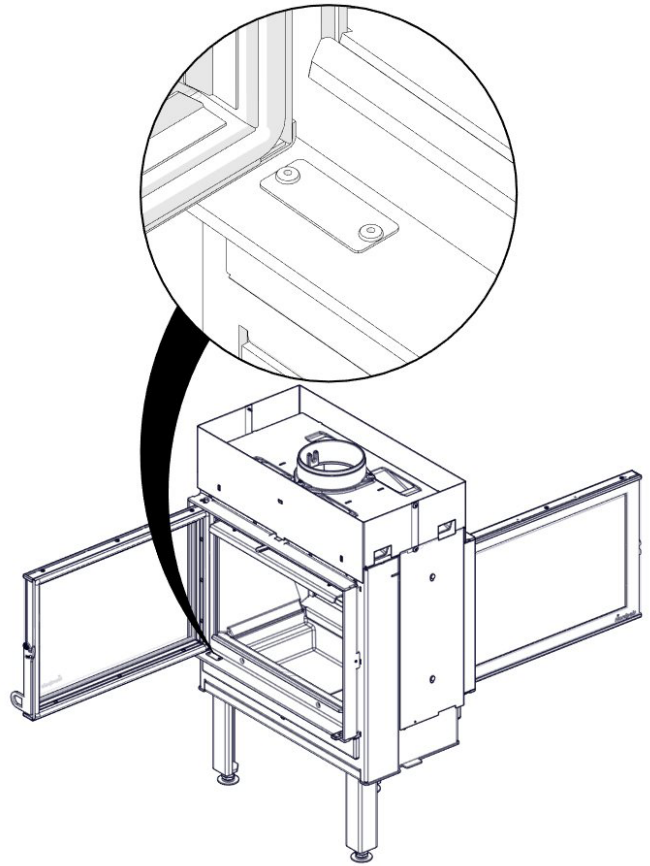
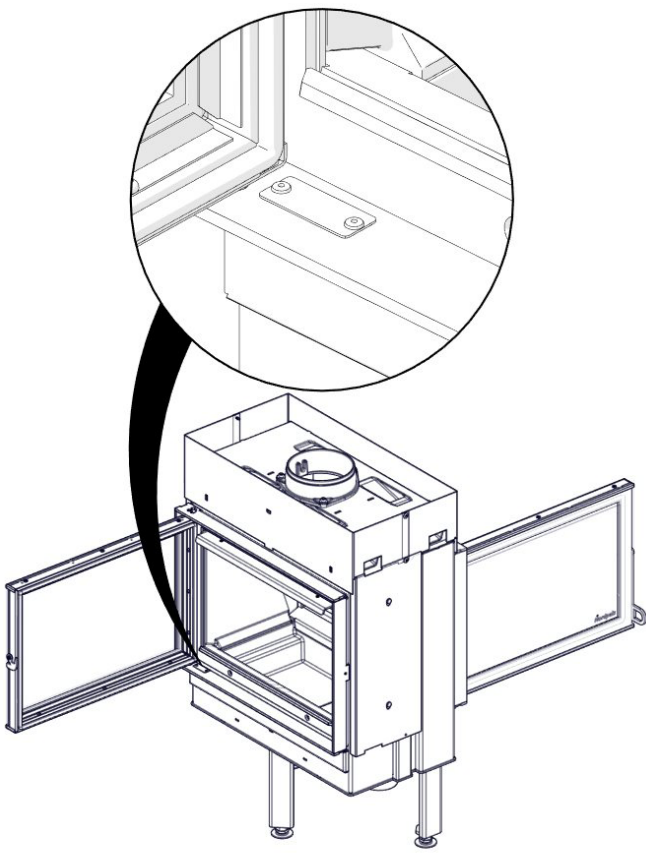
Salzburg XL



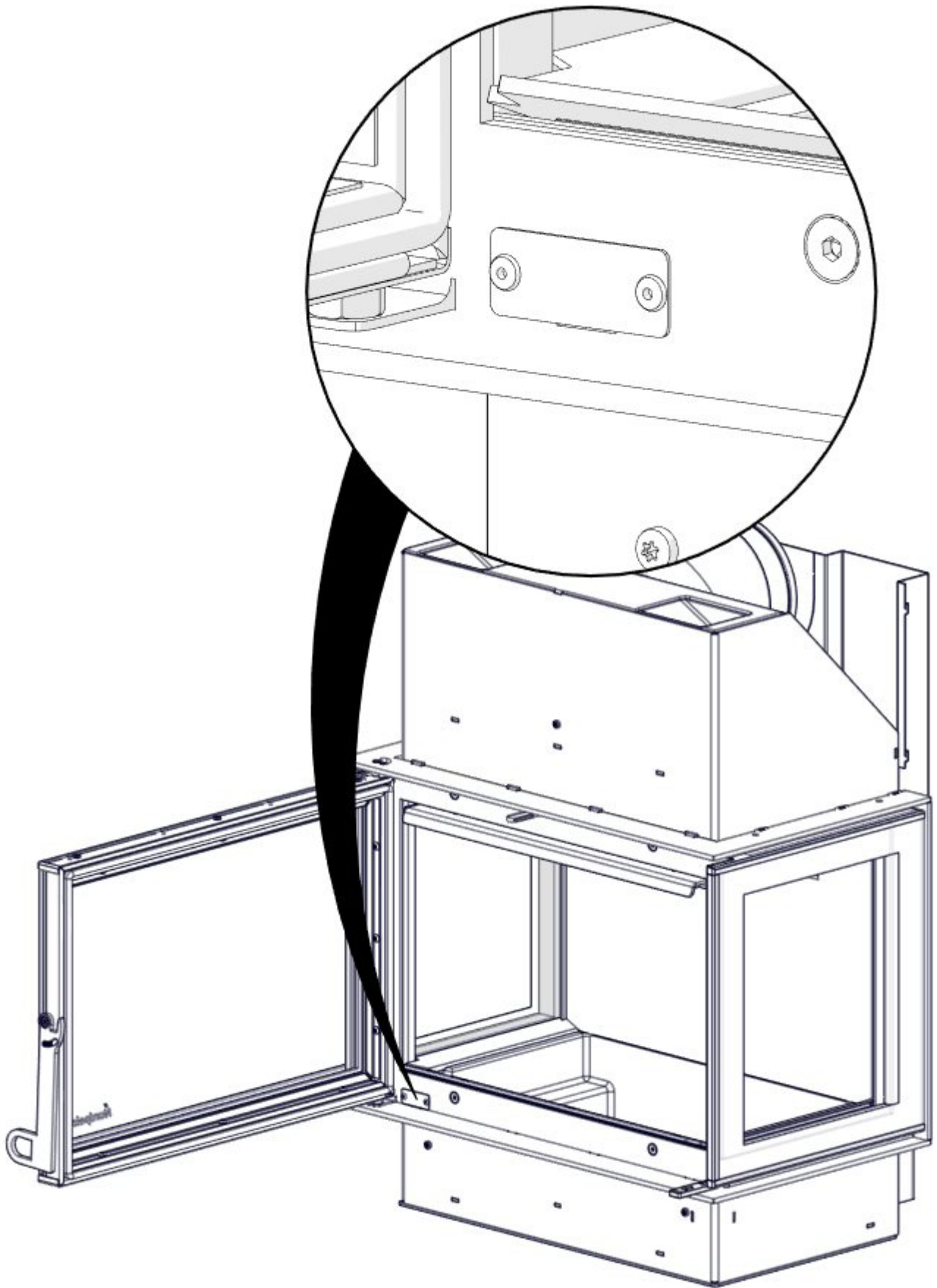
N-20A



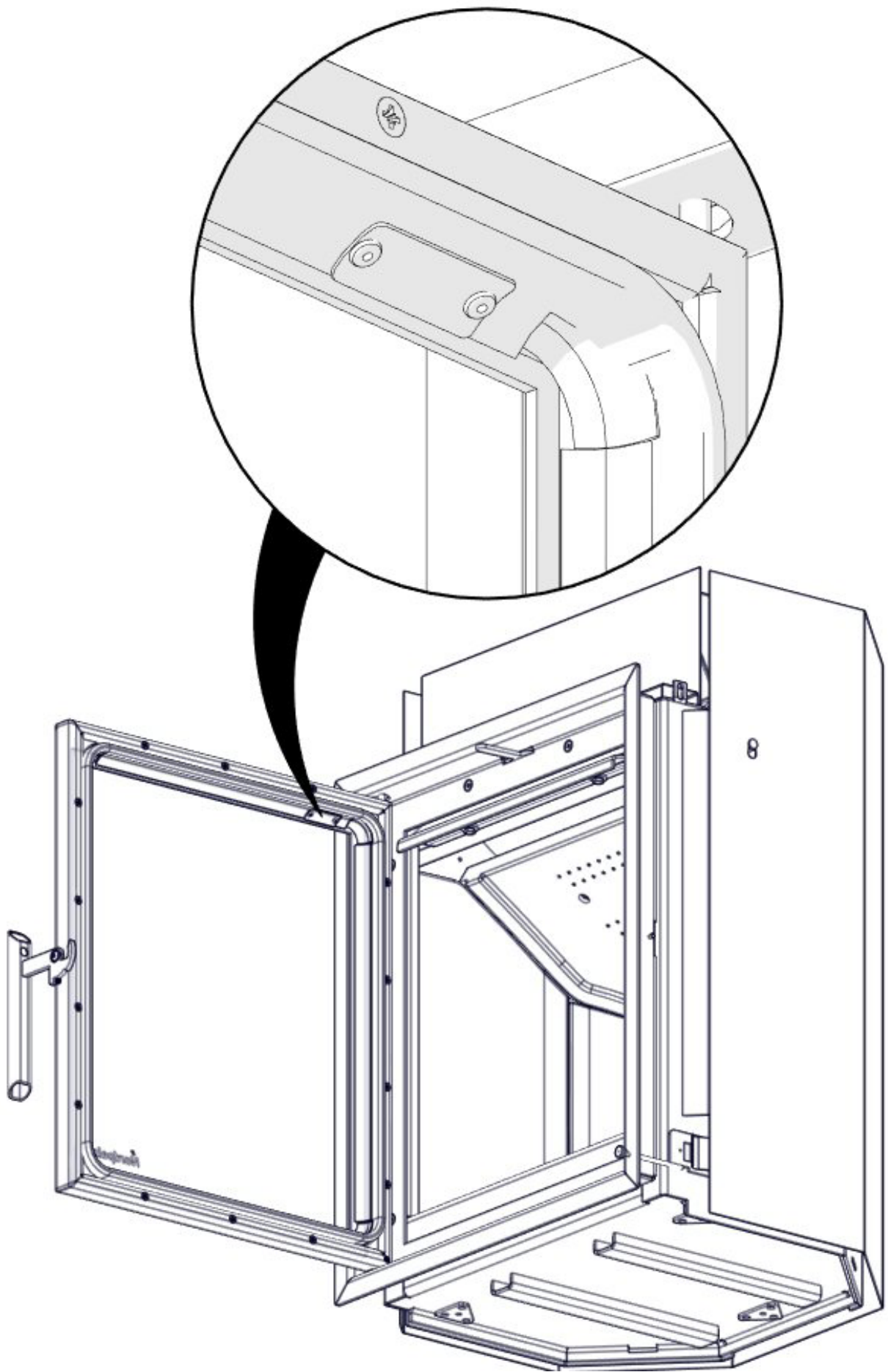
N-20F



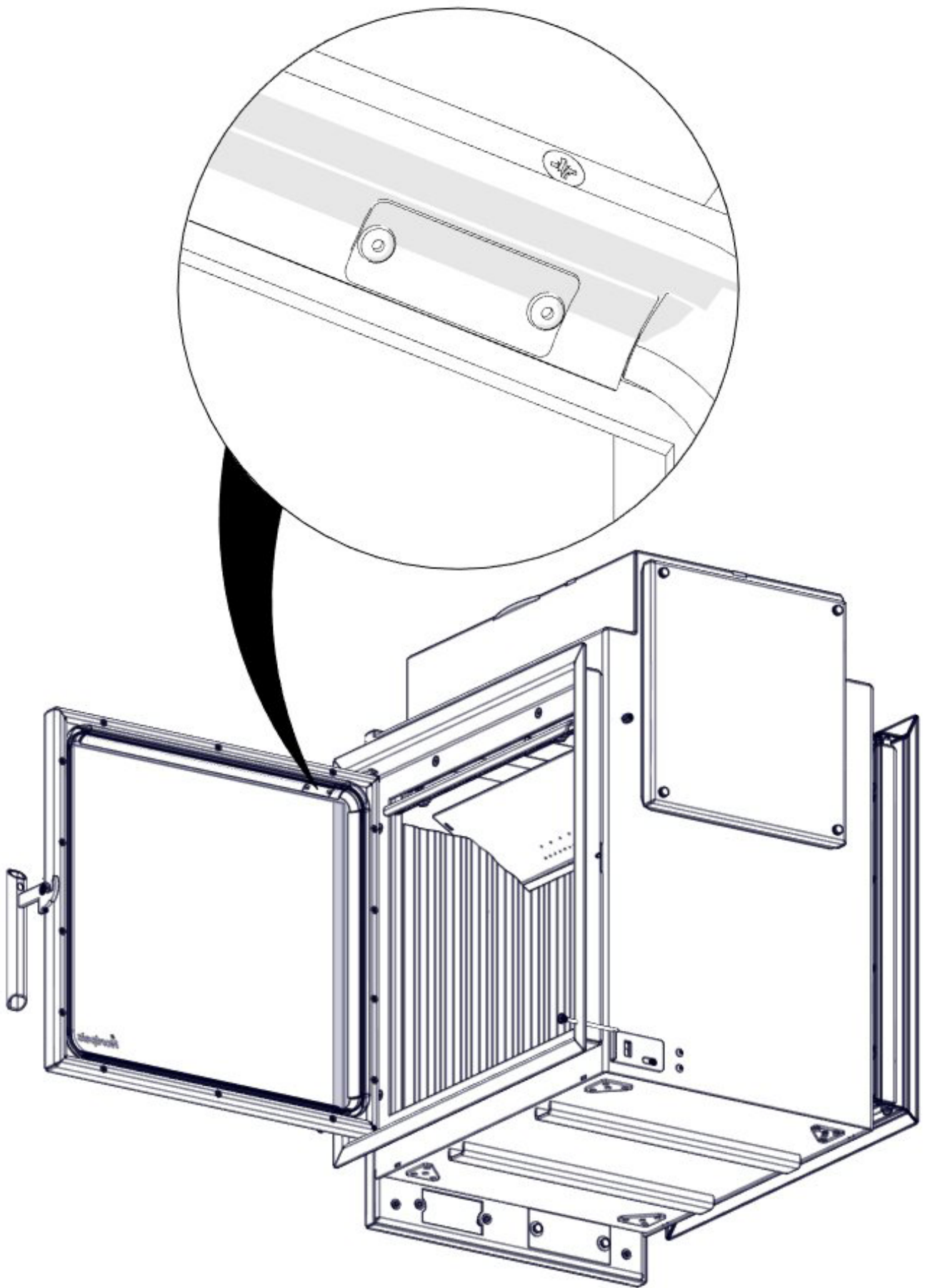
N-20T



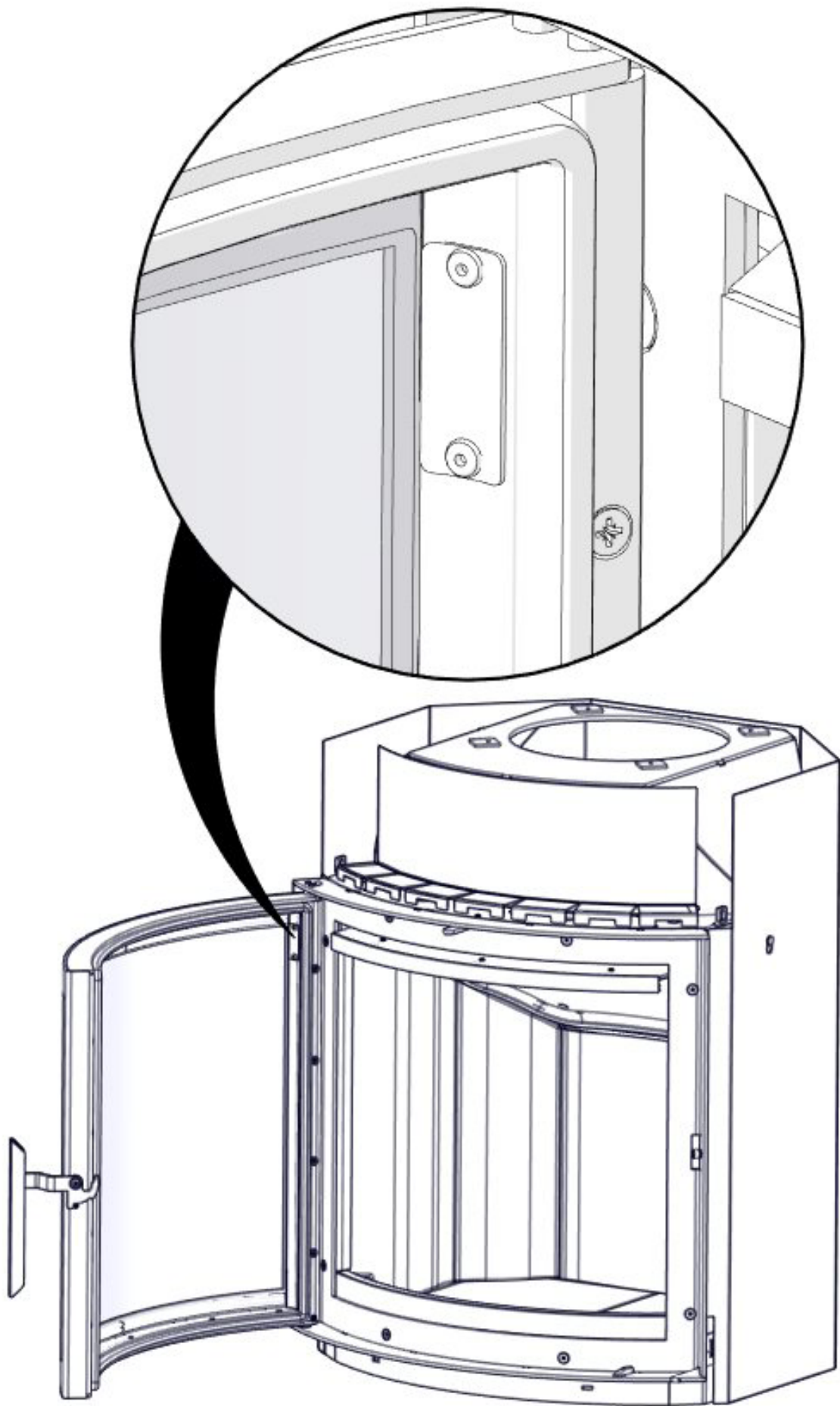
N-20U



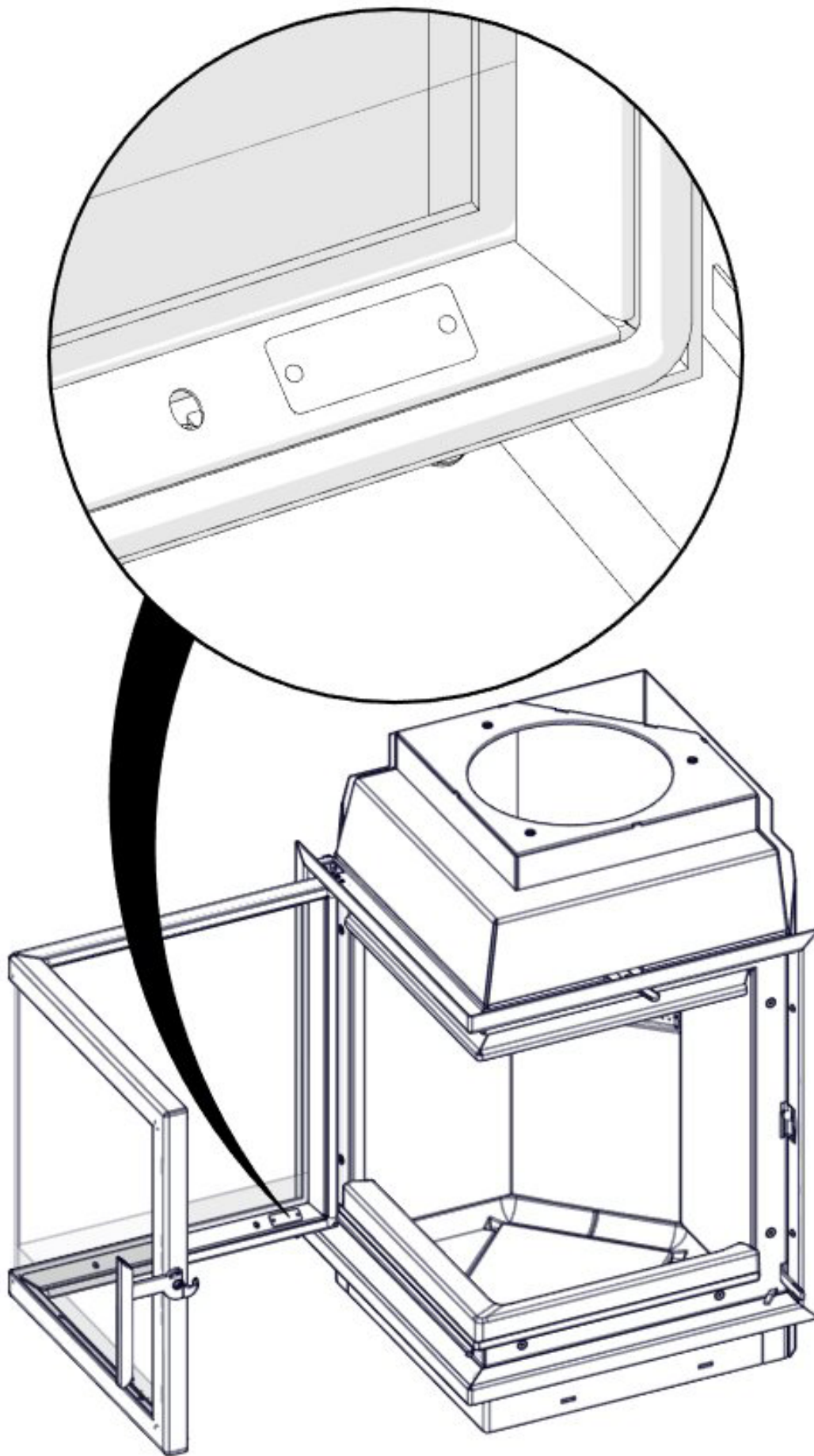
N-21



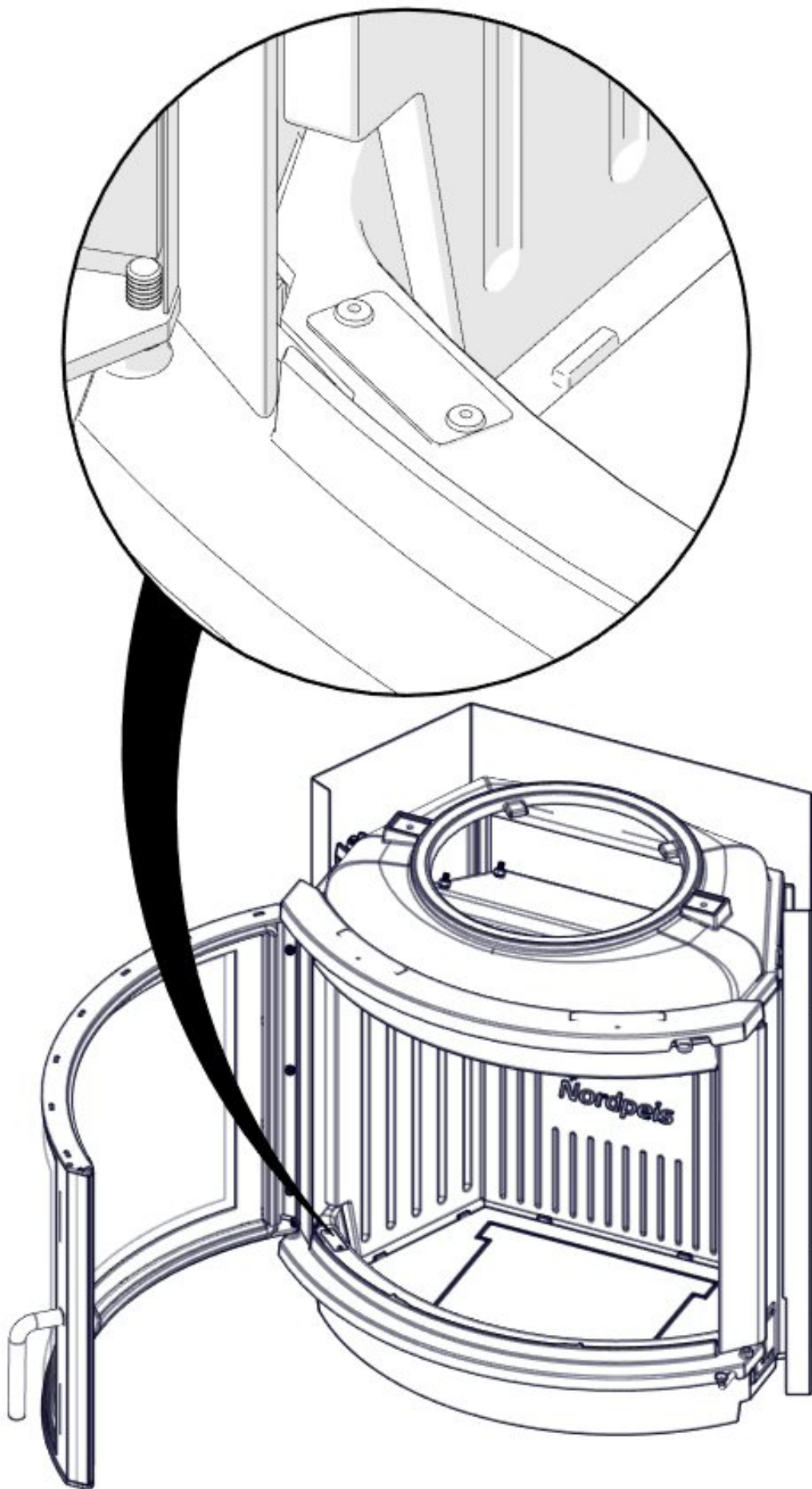
N-23G



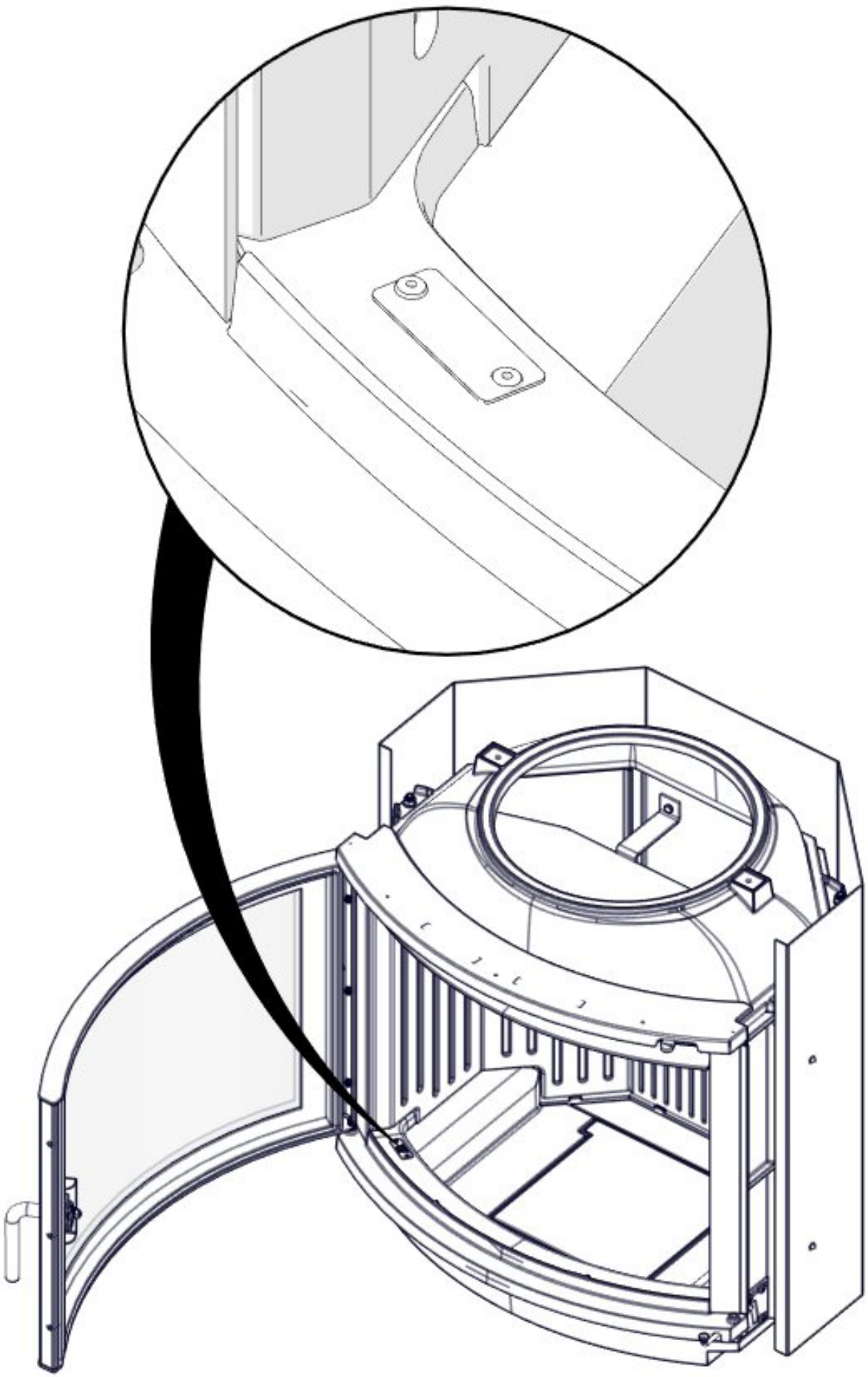
N-24



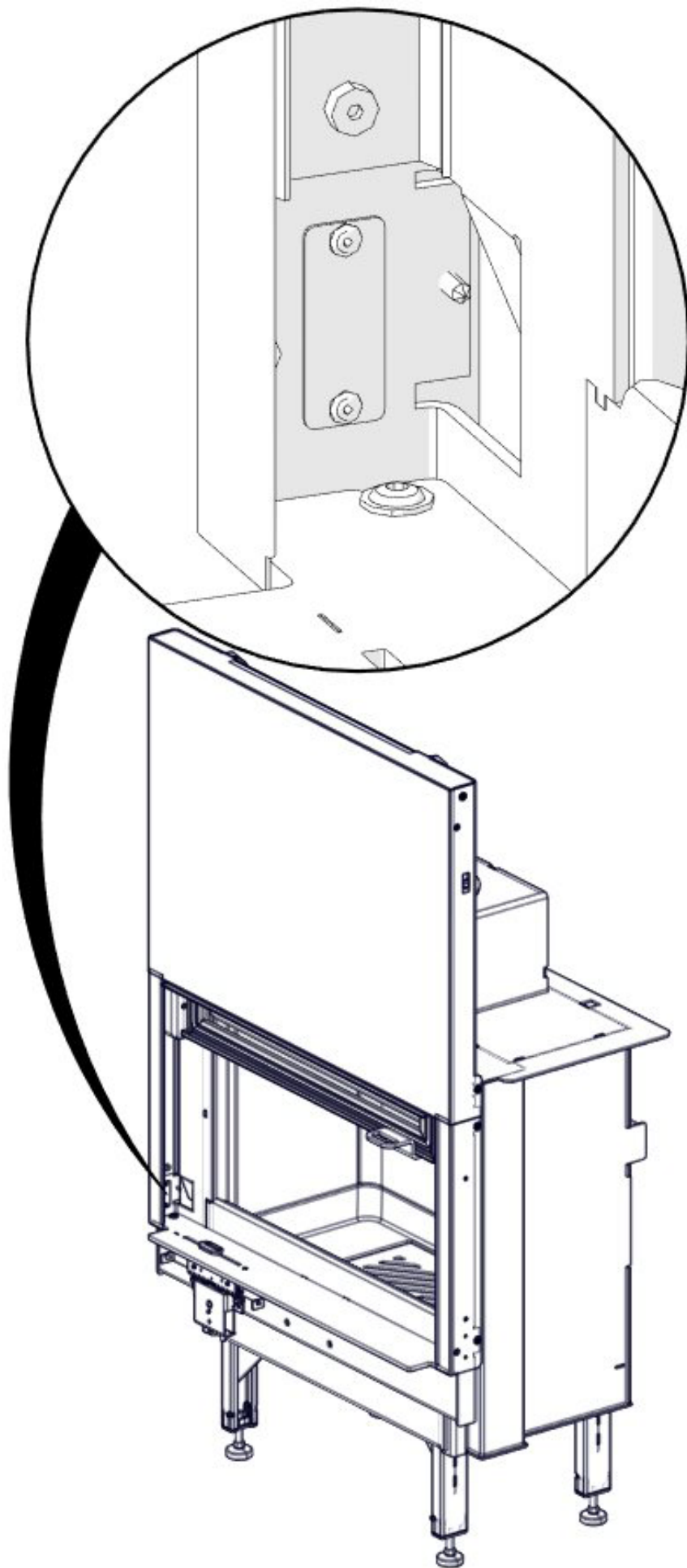
N-36A

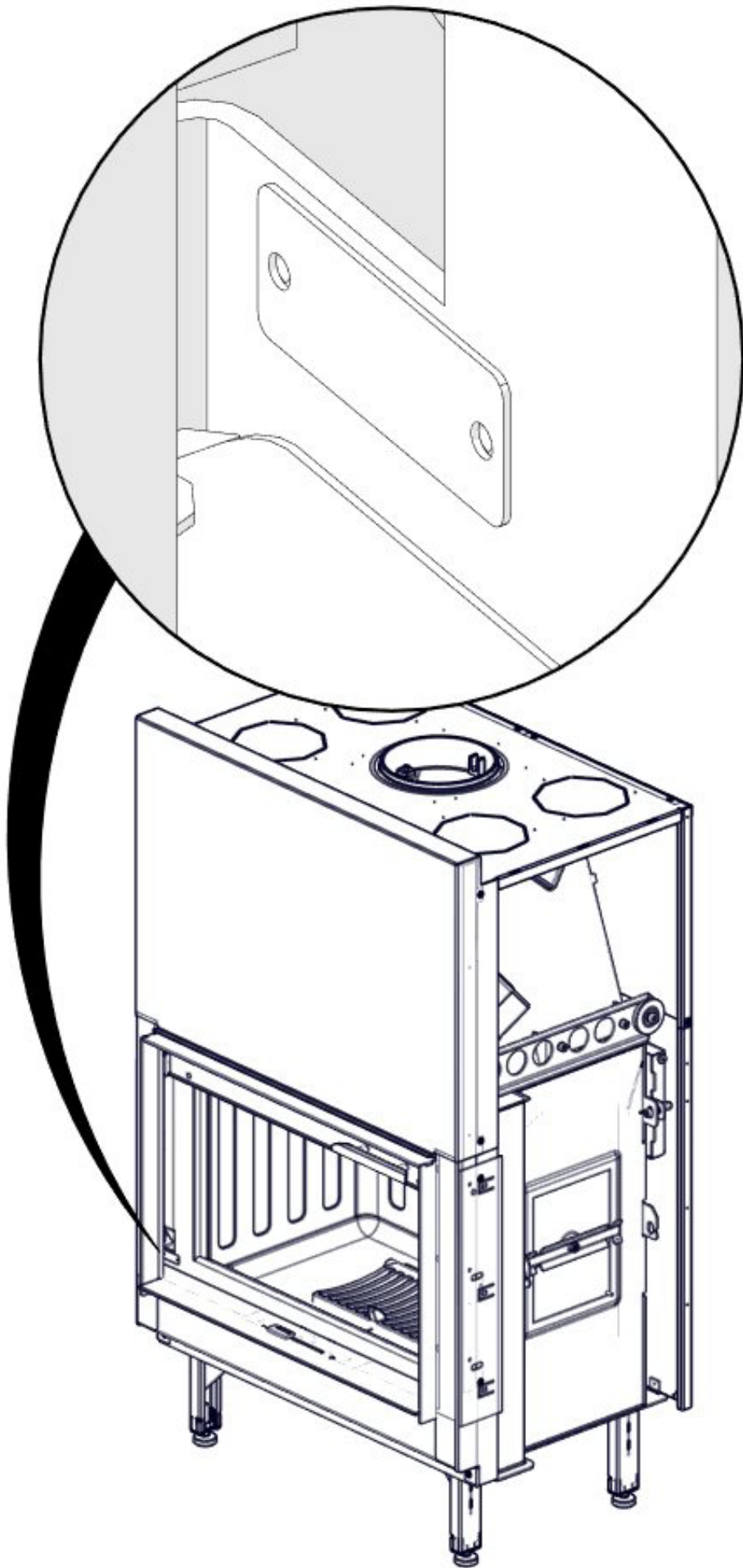


NI-22

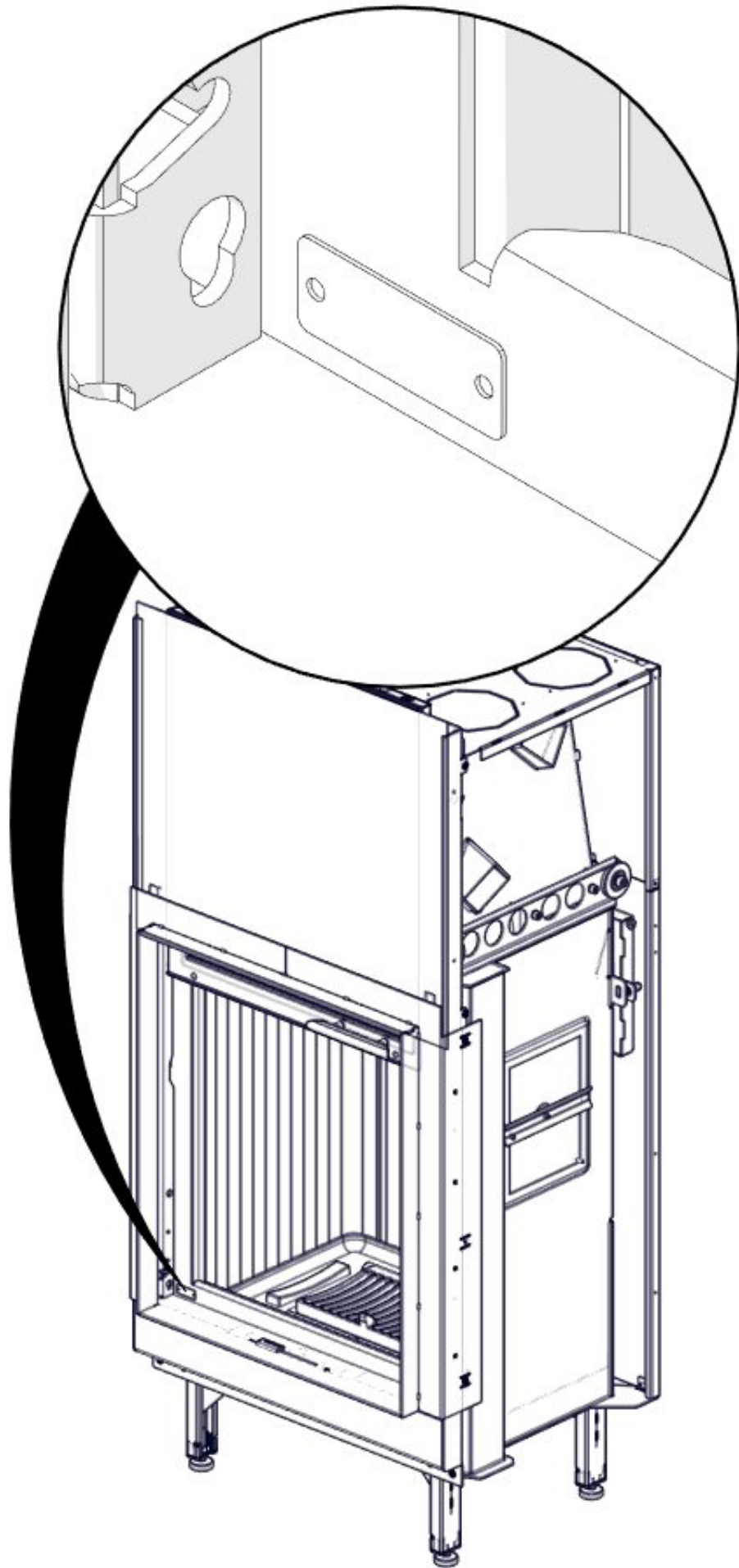


NI-25

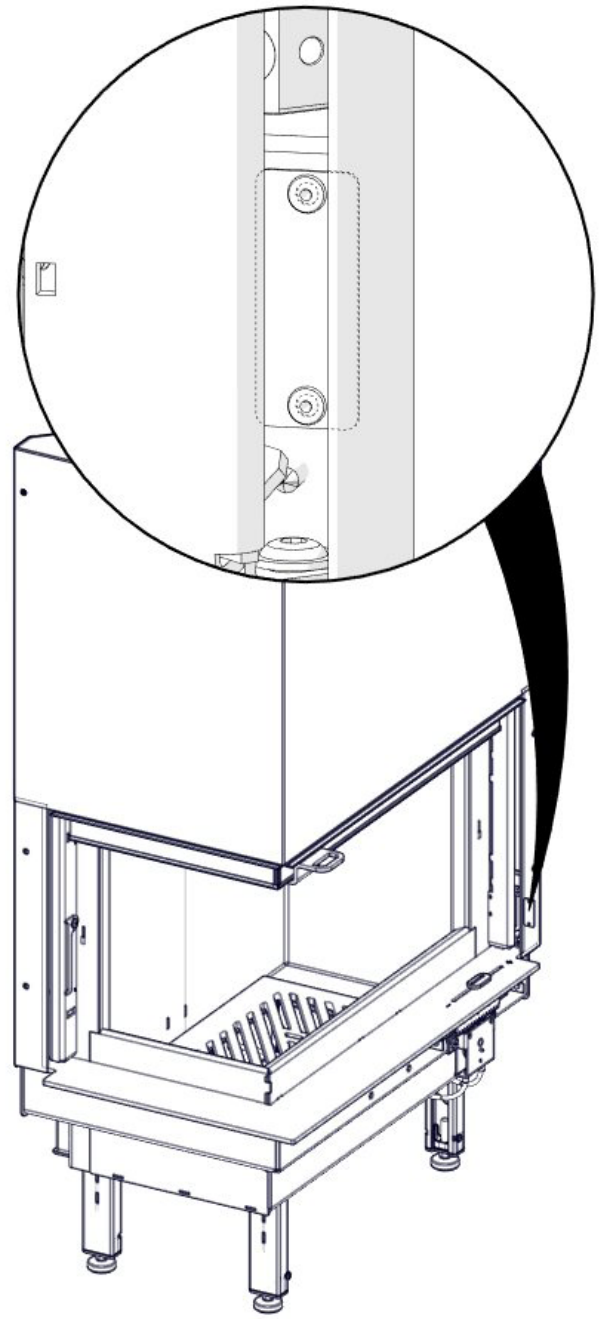
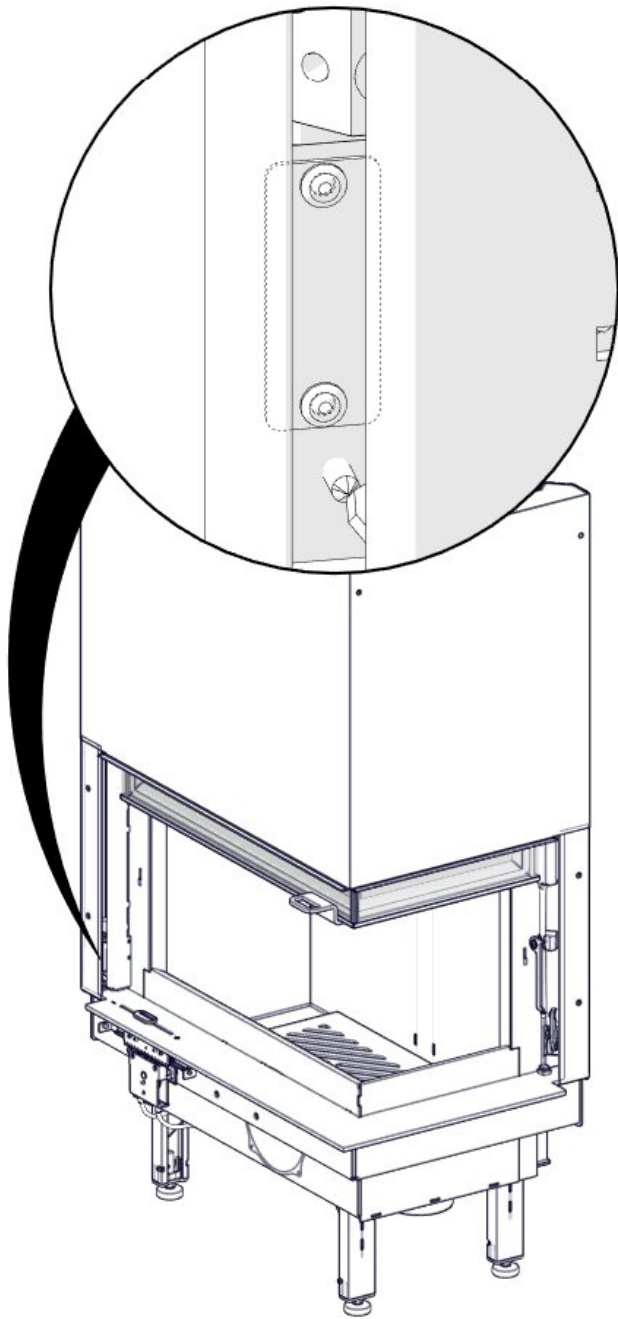




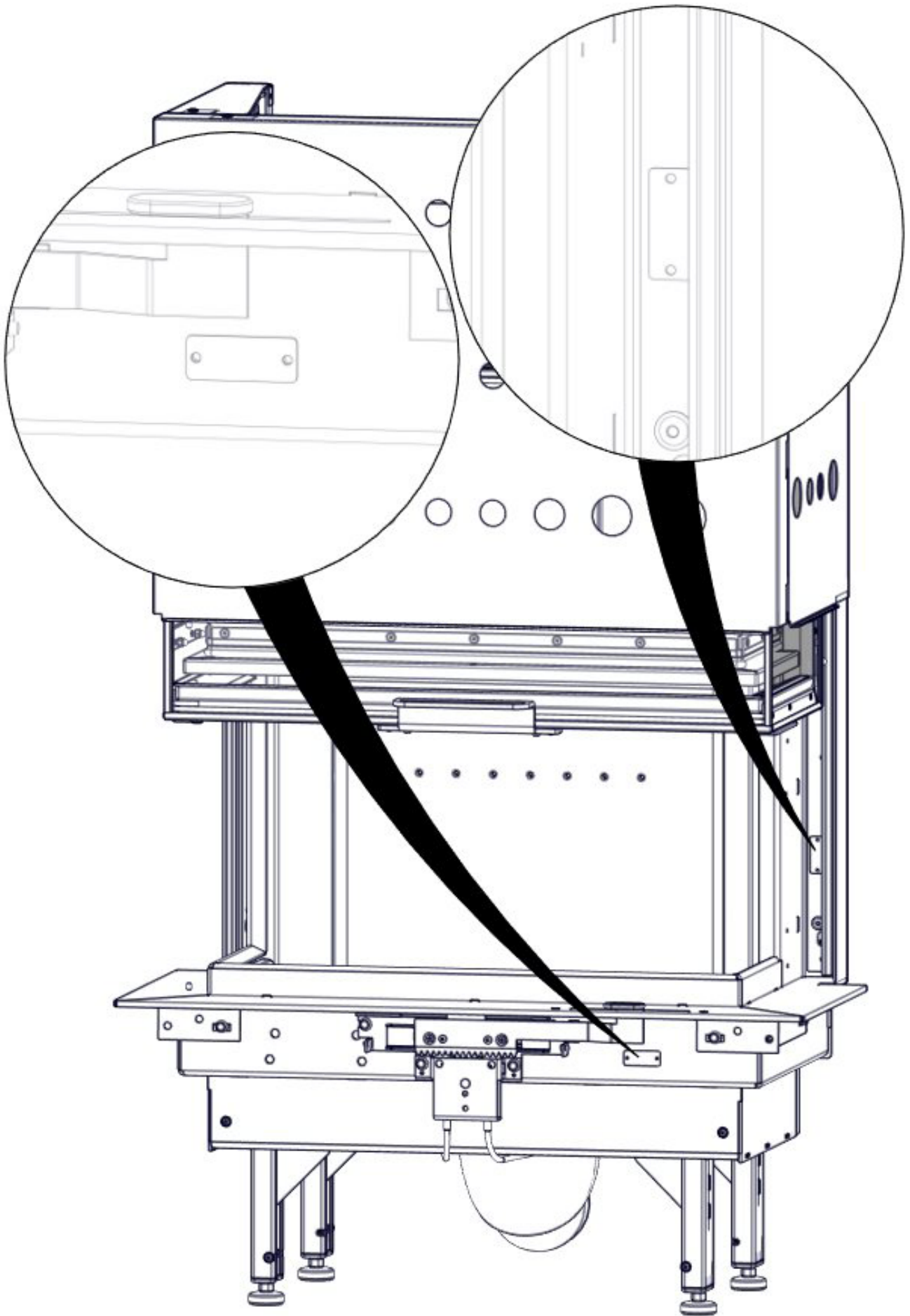
Q-27



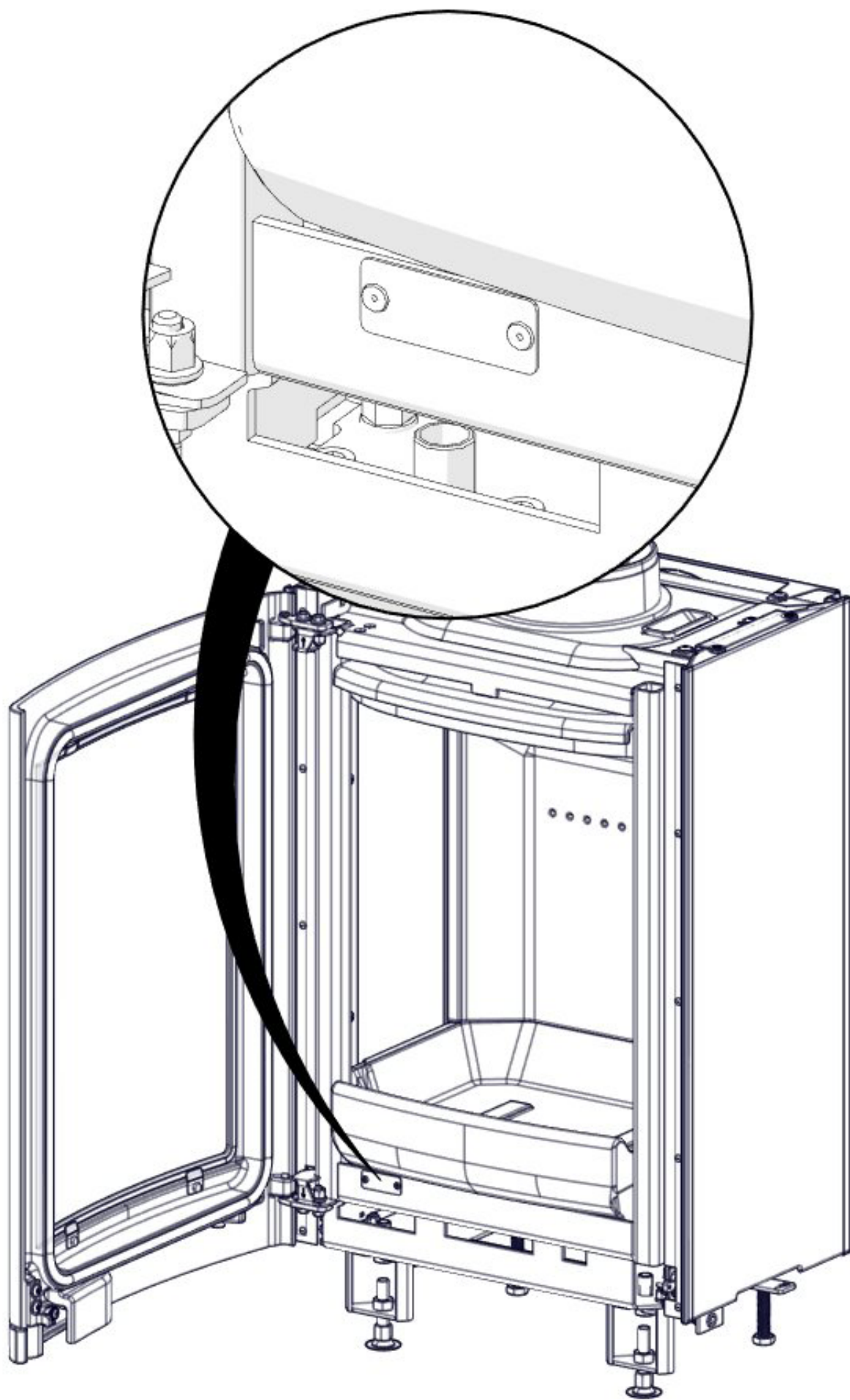
Q-30



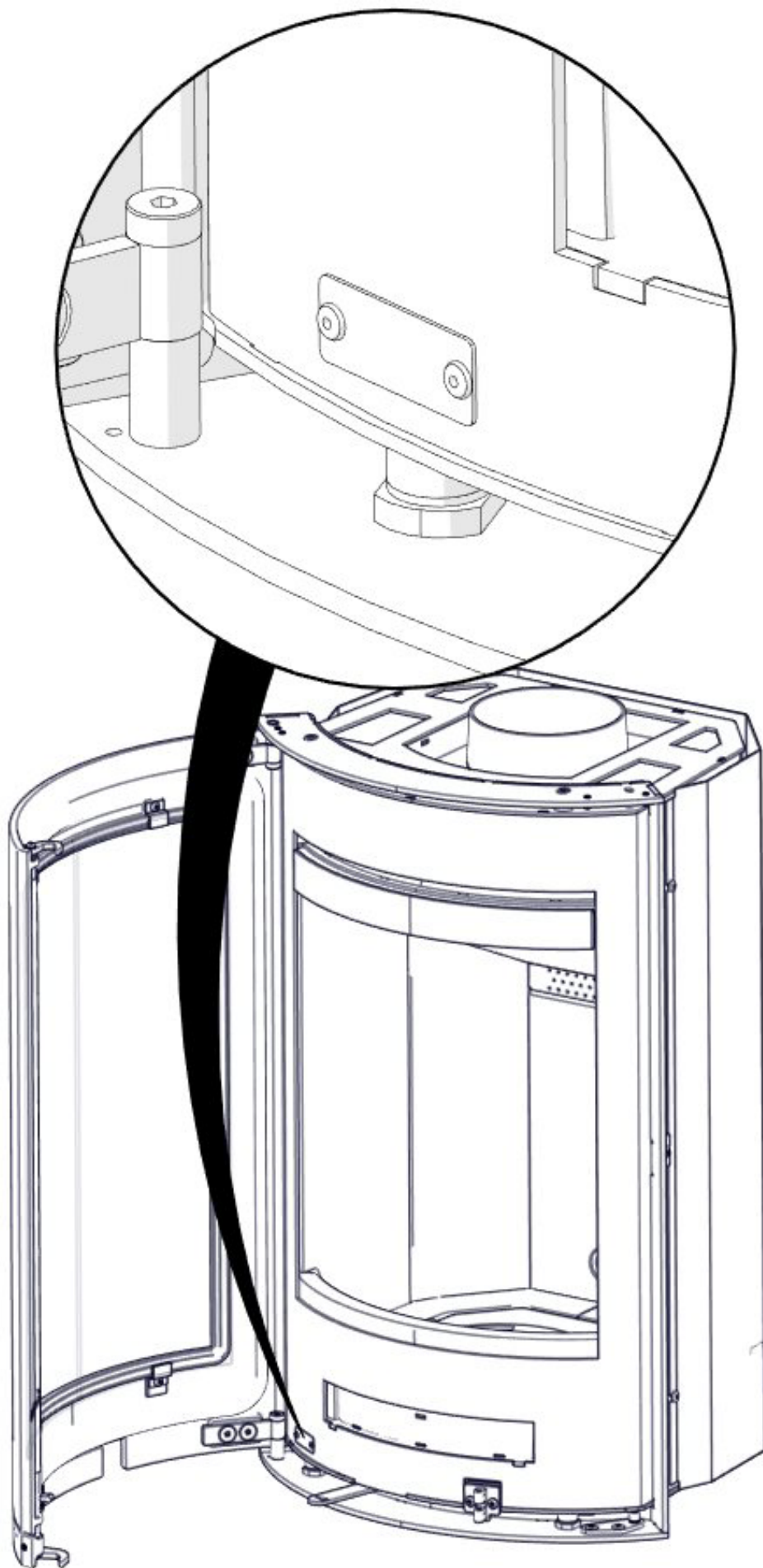
Q-34 AL



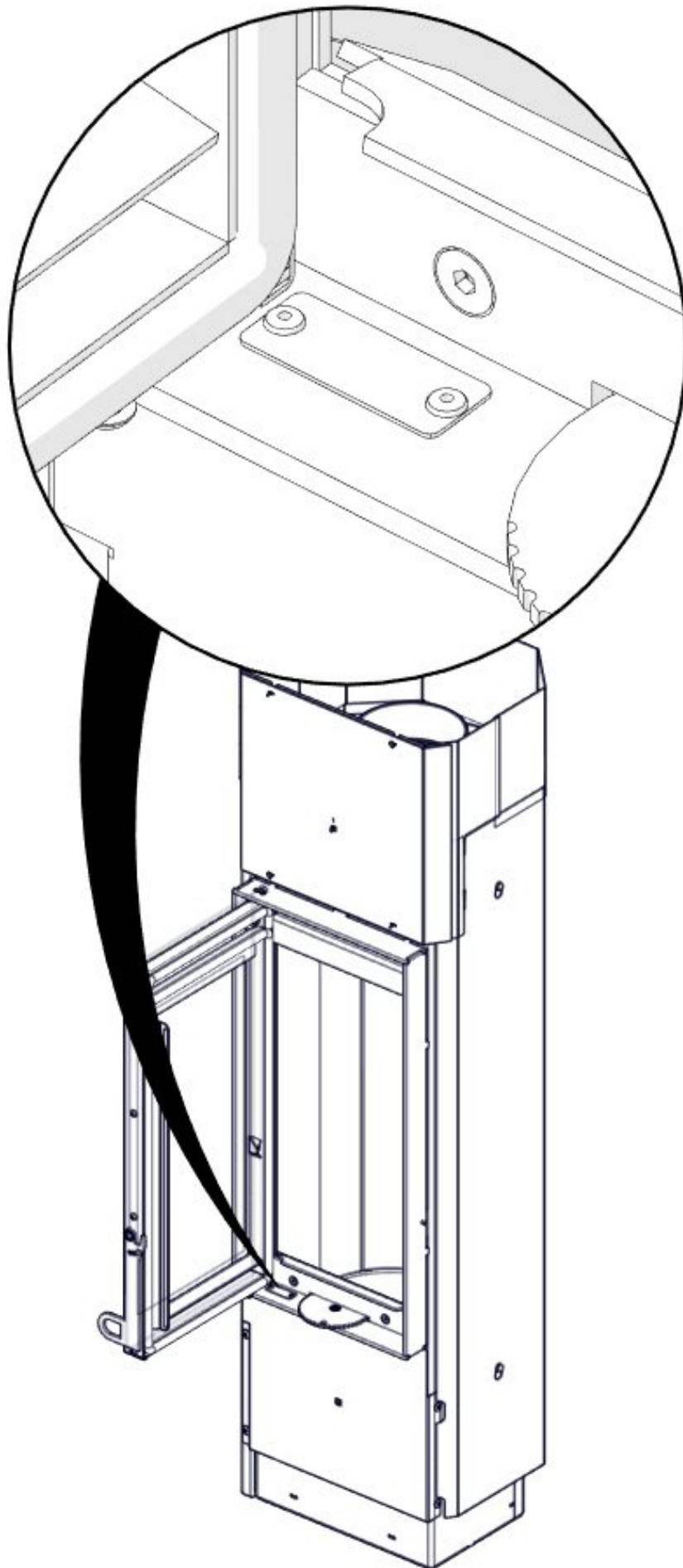
Q-34 UL



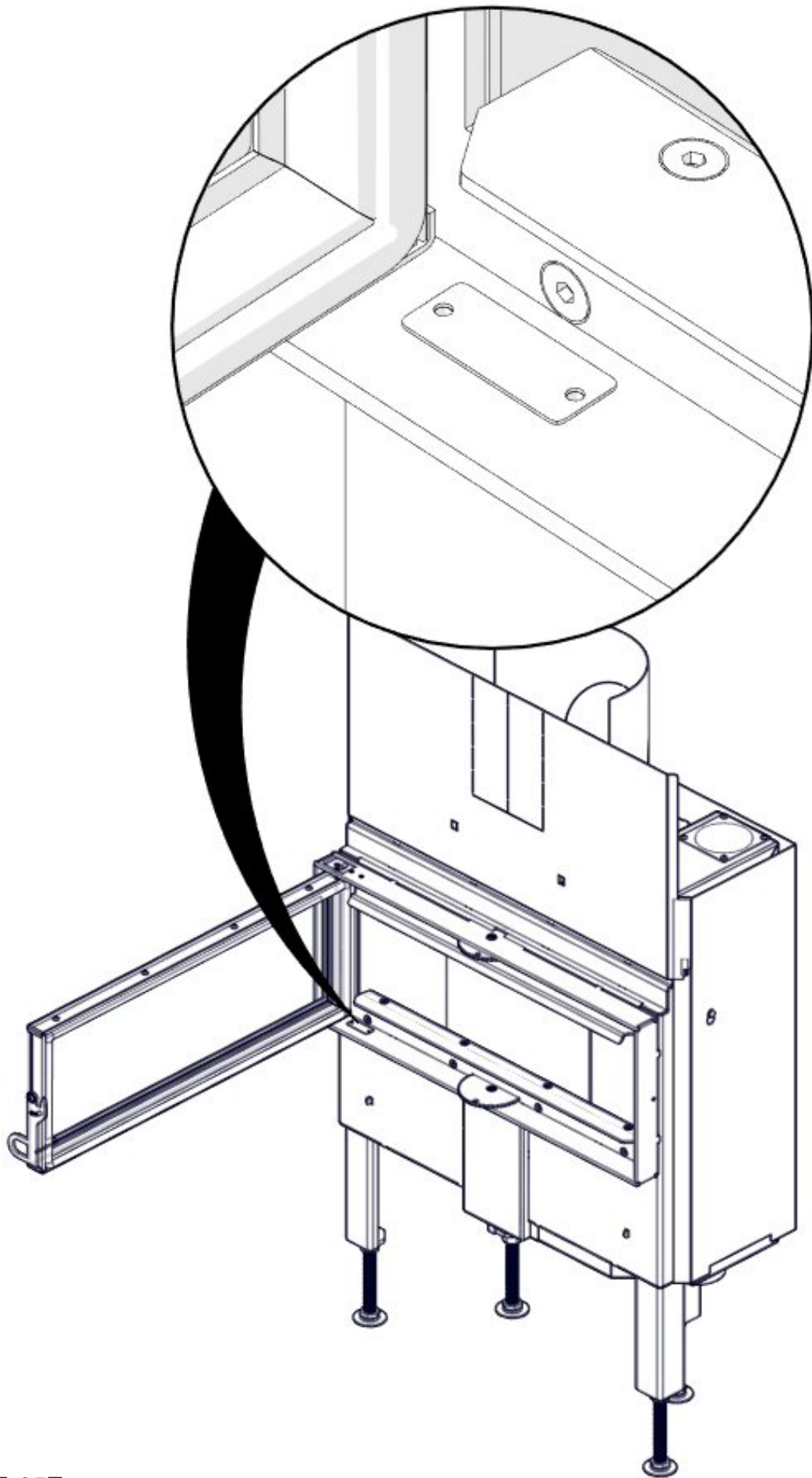
S-18E, S-18U



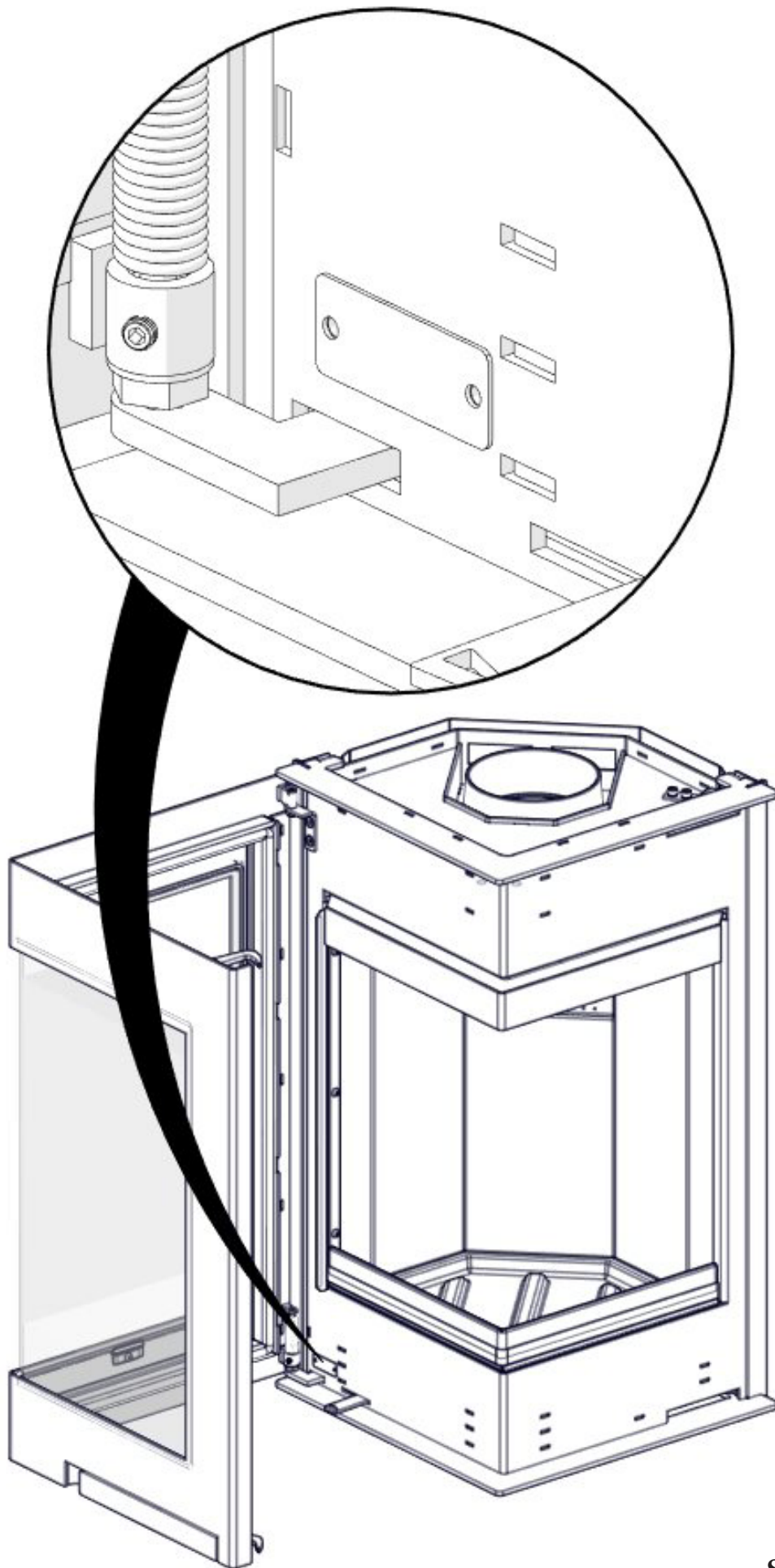
S-26R



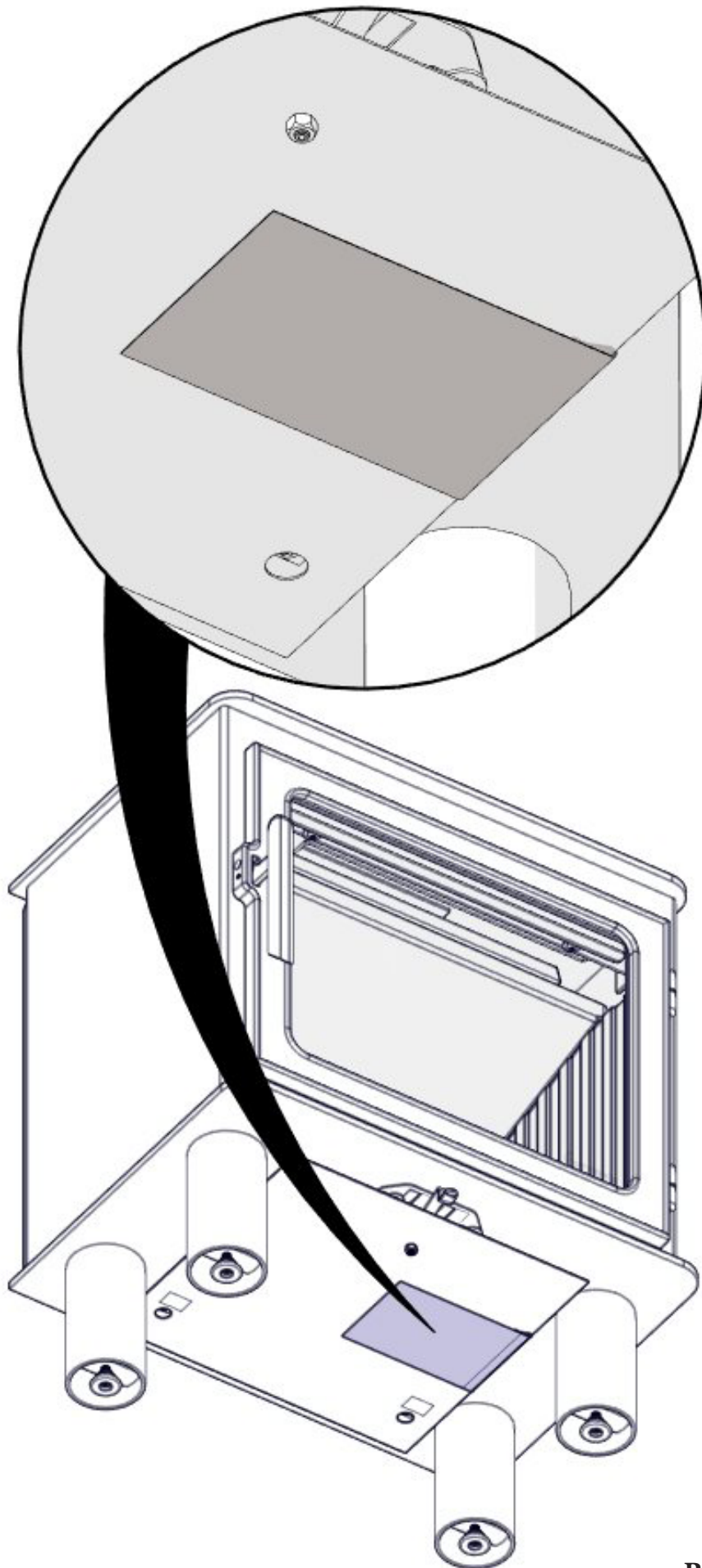
X-20F



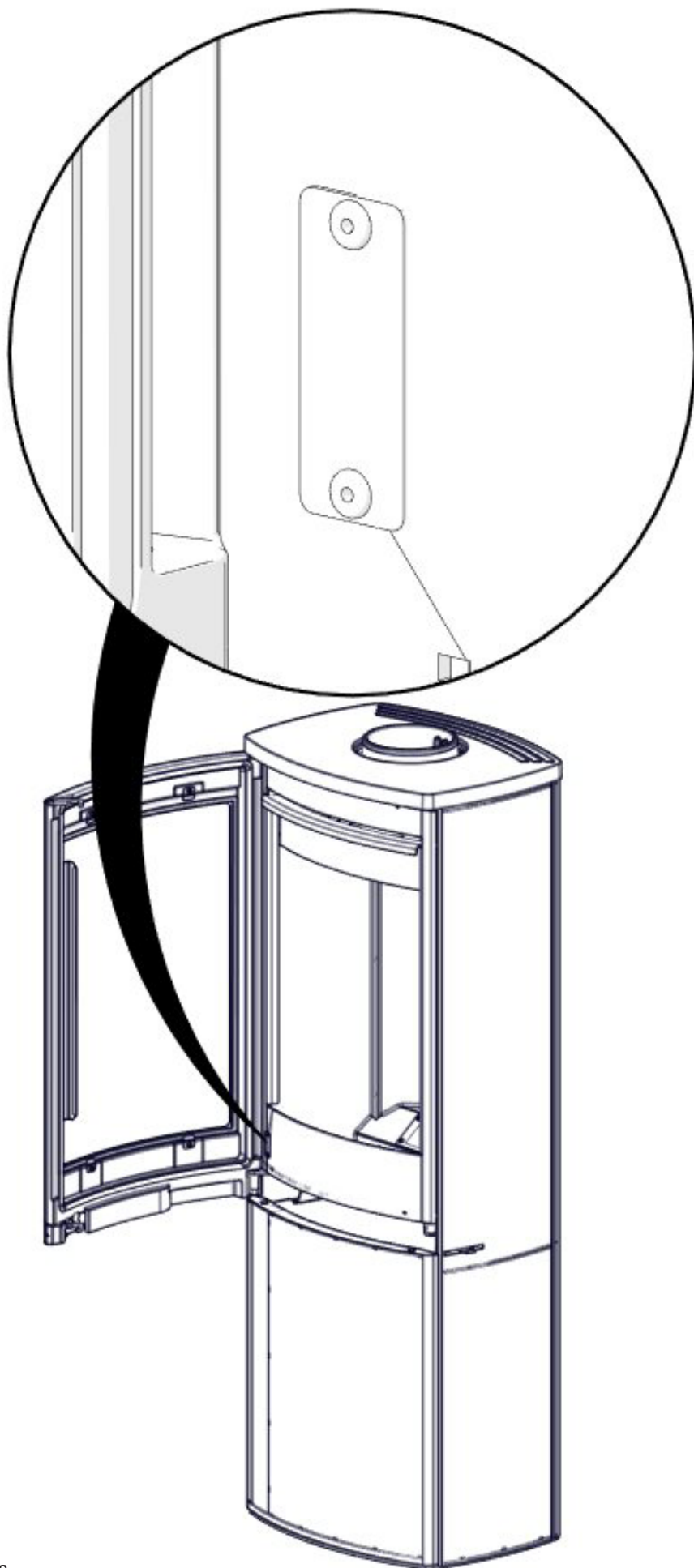
X-25F



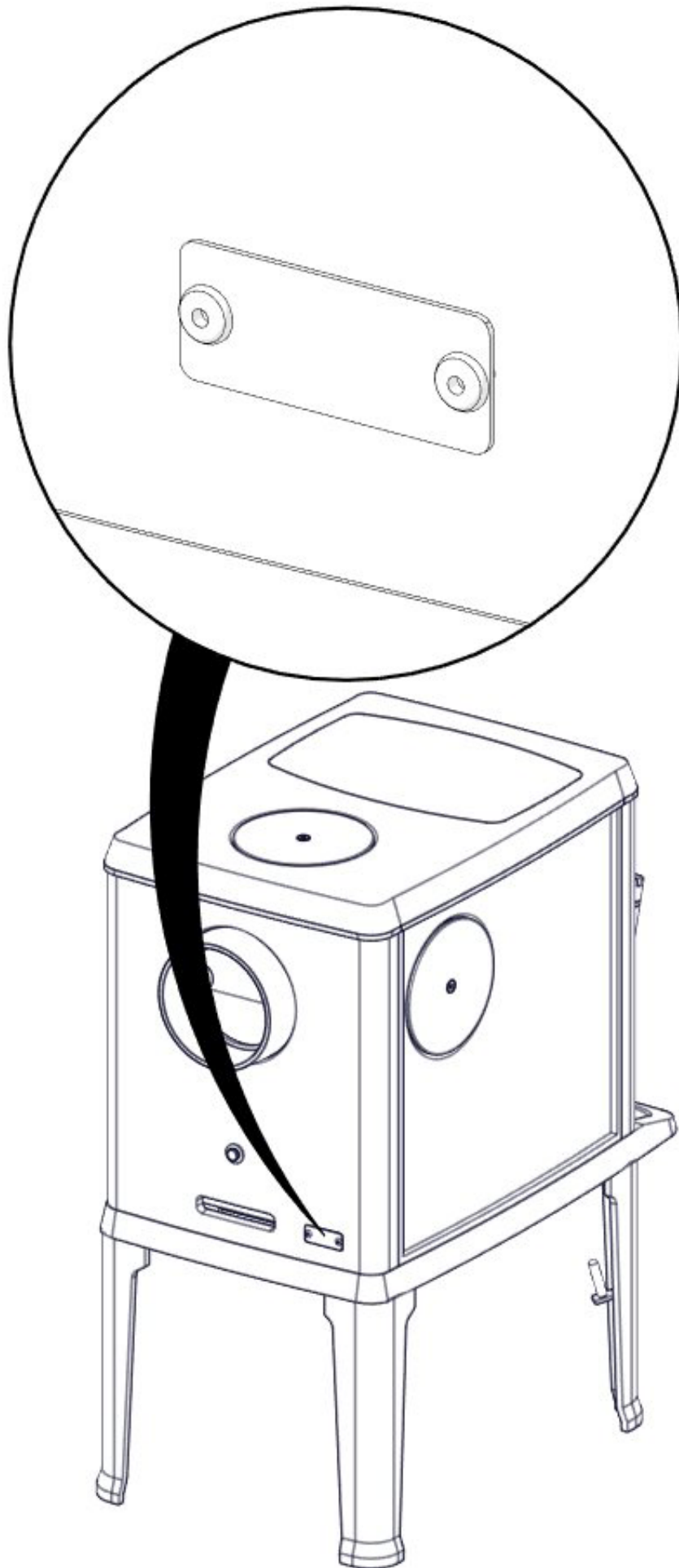
S-31A

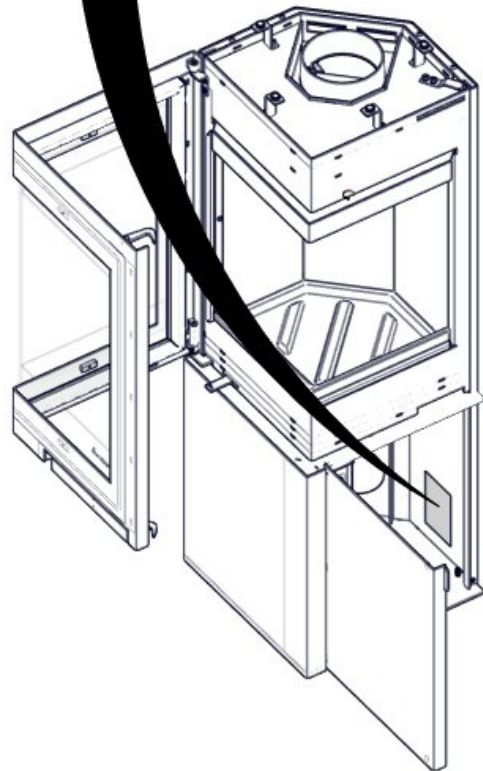
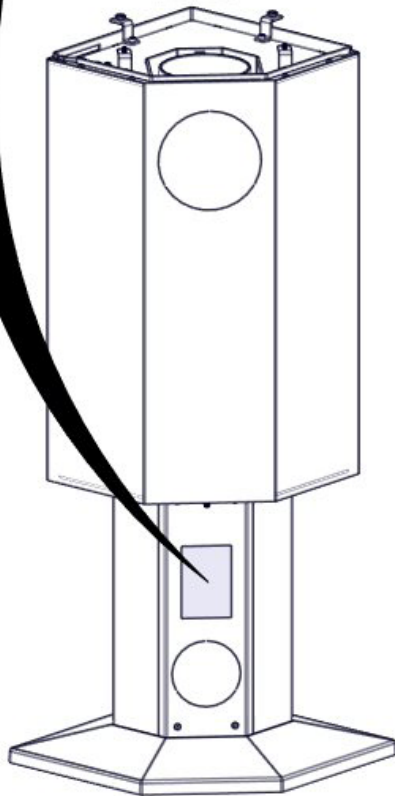
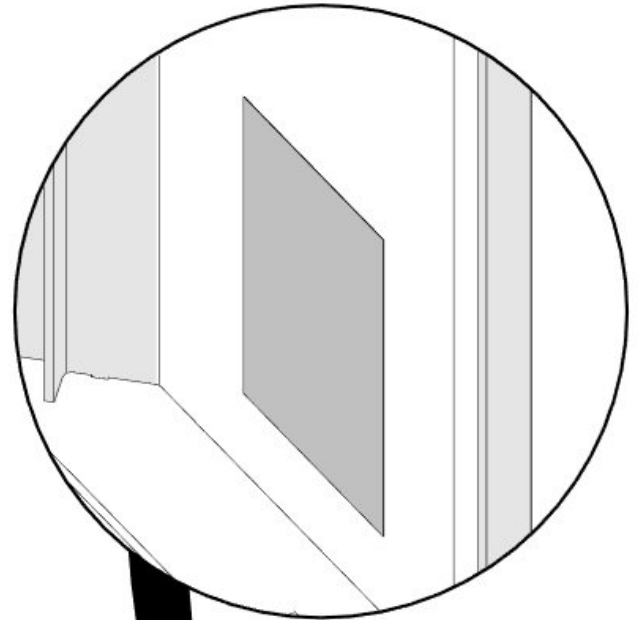
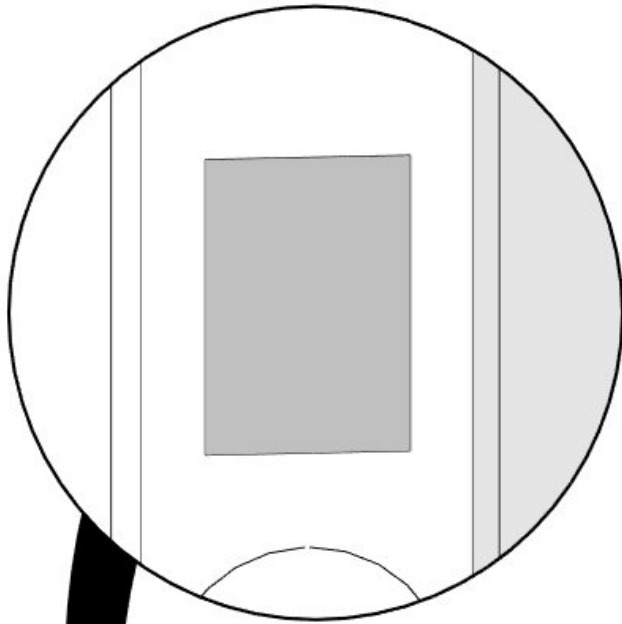


Bergen, Glasgow

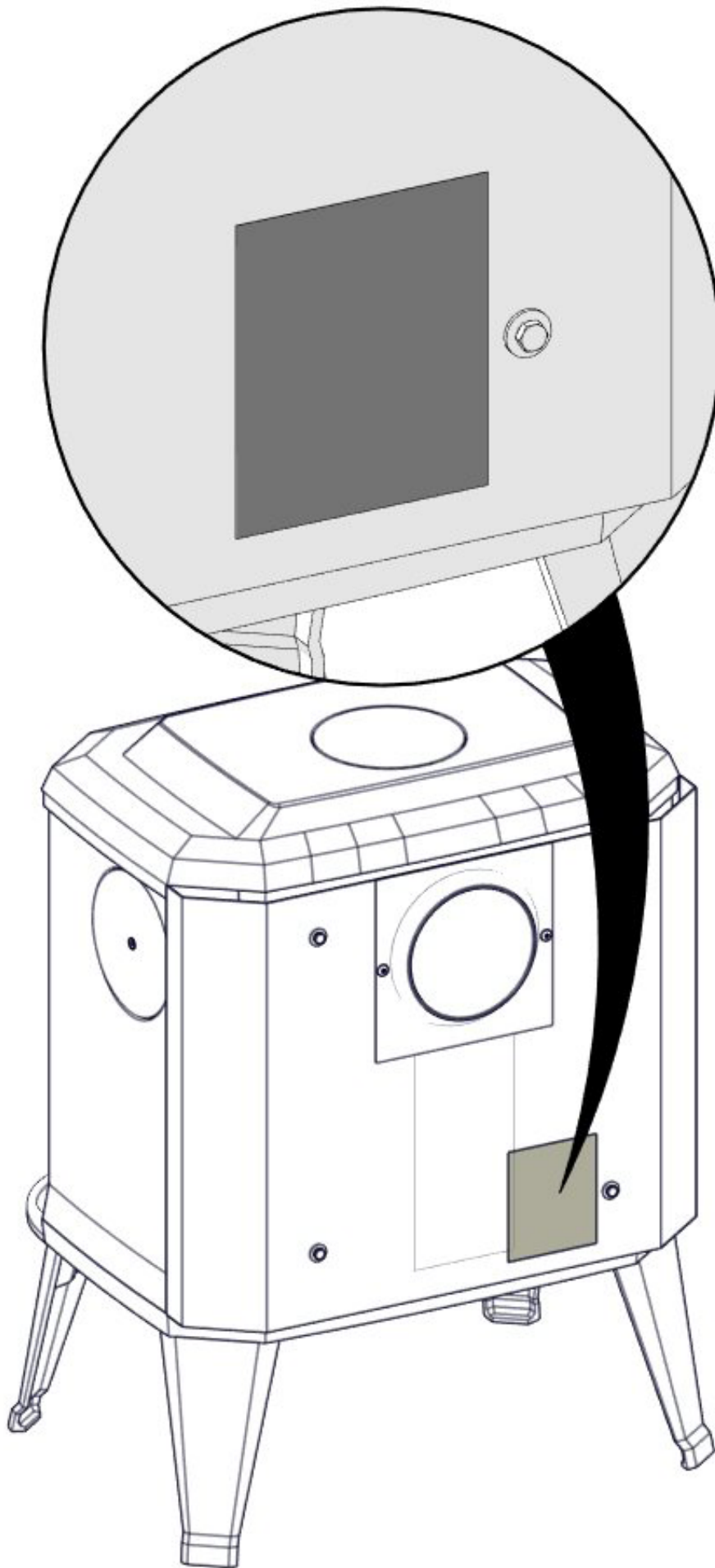


Duo series

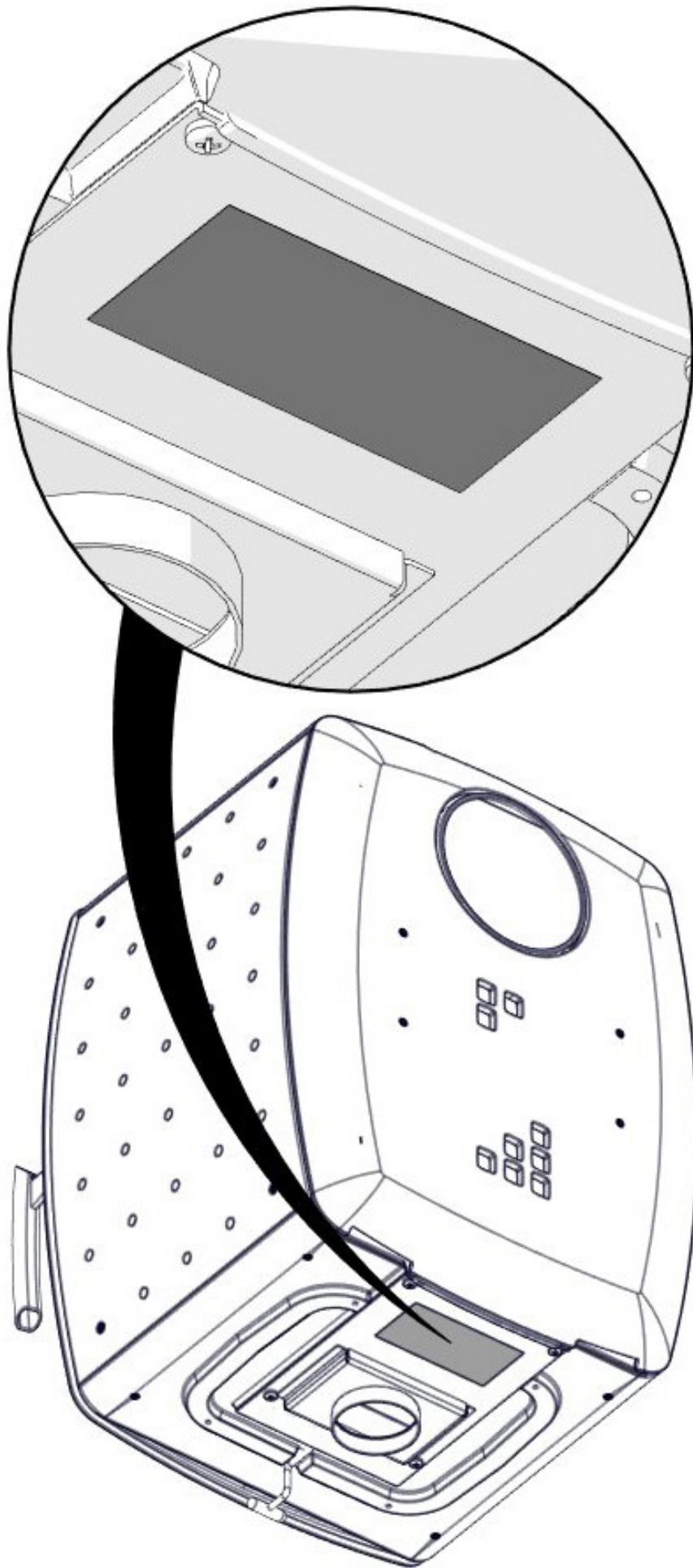




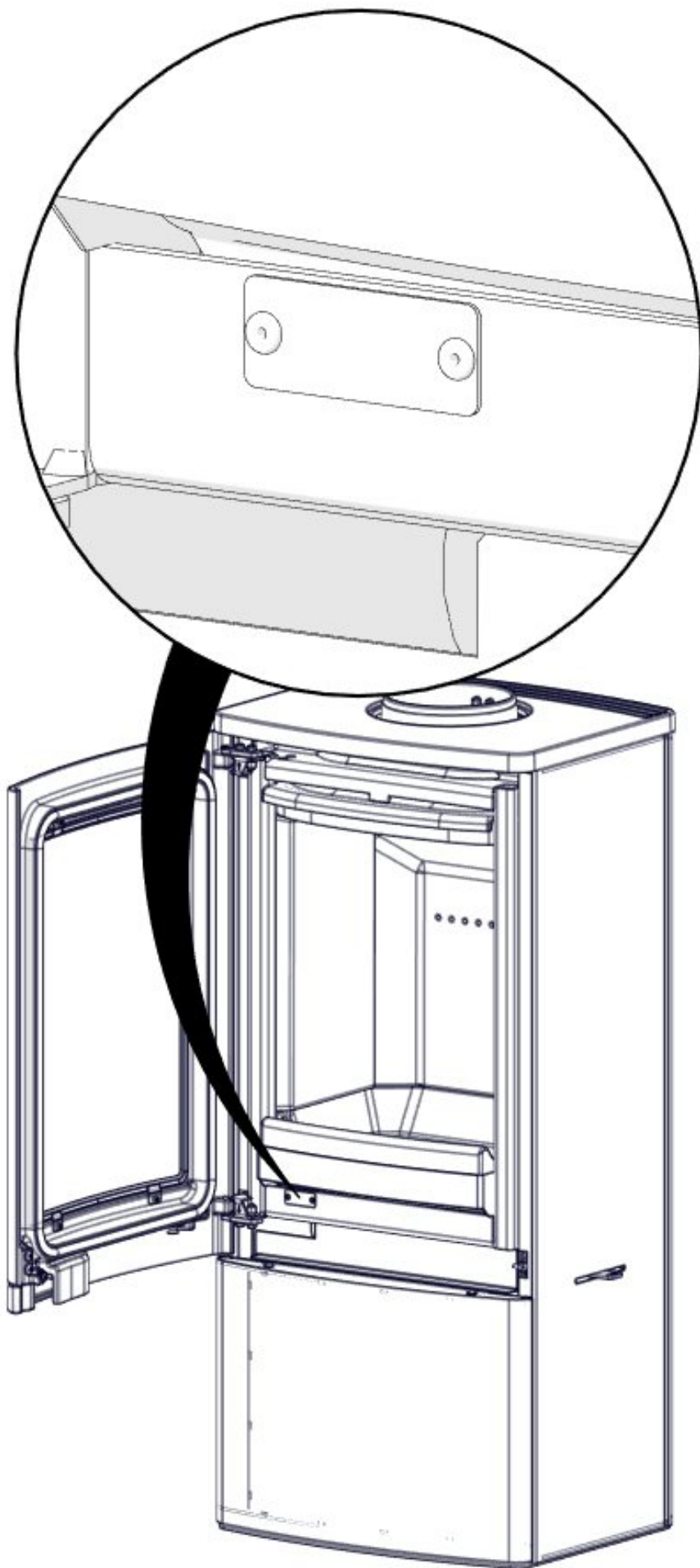
Quadro



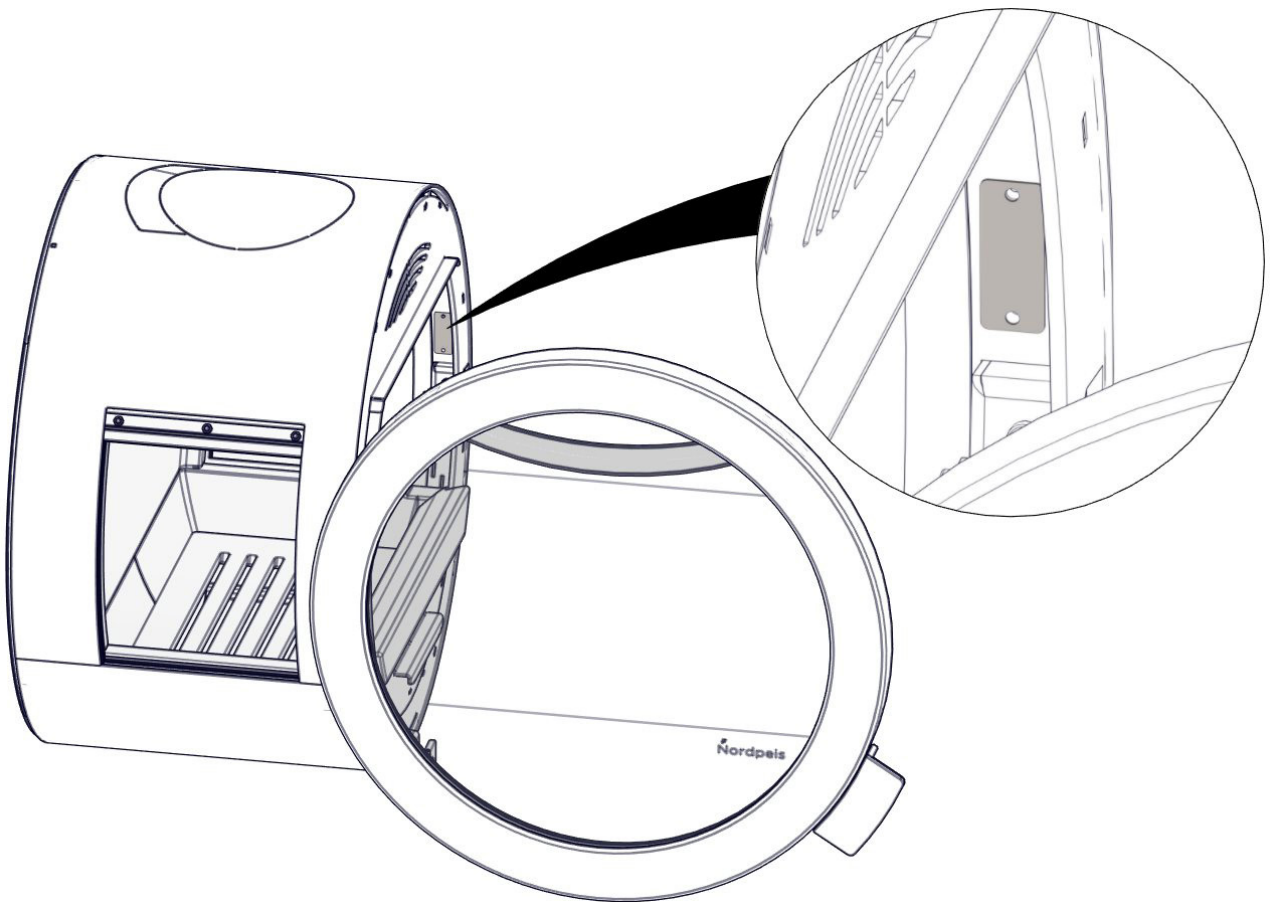
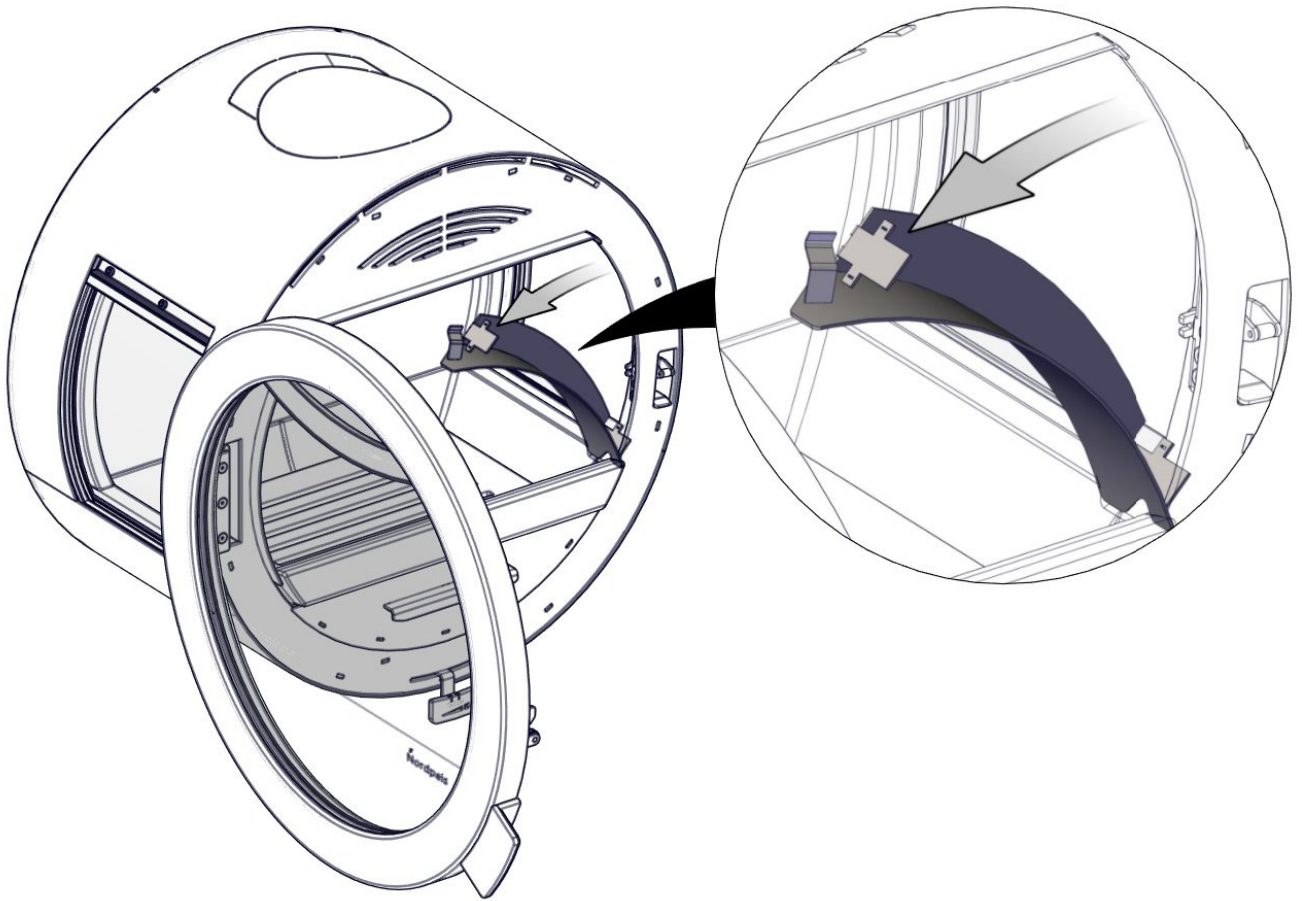
Saturn



Smarty



Uno series



Me series

 Nordpeis

Nordpeis AS, Gjellebekkstubben 9/11, N-3420 Lierskogen, Norway
www.nordpeis.com